

SCX6 Vibrating Rod Level Switch



INTRODUCTION

Piezoelectric elements are used to drive and signal feedback which resonates with the vibrating rod. If a material touches the probe, the vibration intensity and frequency will change due to the damping effect caused when the measured object is covering the probe. A relay contact output switching signal is sent.

FEATURES

- Suitable for materials with low specific gravity; it can be as low as 0.04g/cm³.
- High vibration intensity to reduce the pile-up of materials on the vibrating rod.
- No calibration required, easy to use, and durable.
- High and low-level failure protection; safe and reliable.
- Power supply: for AC input range – 100~240Vac 50/60; for DC input range – 18~30 Vdc input.

SCOPE OF APPLICATION

Level control in cement factories, food industries, flour mills, coal mines, and pharmaceutical factories, among others.

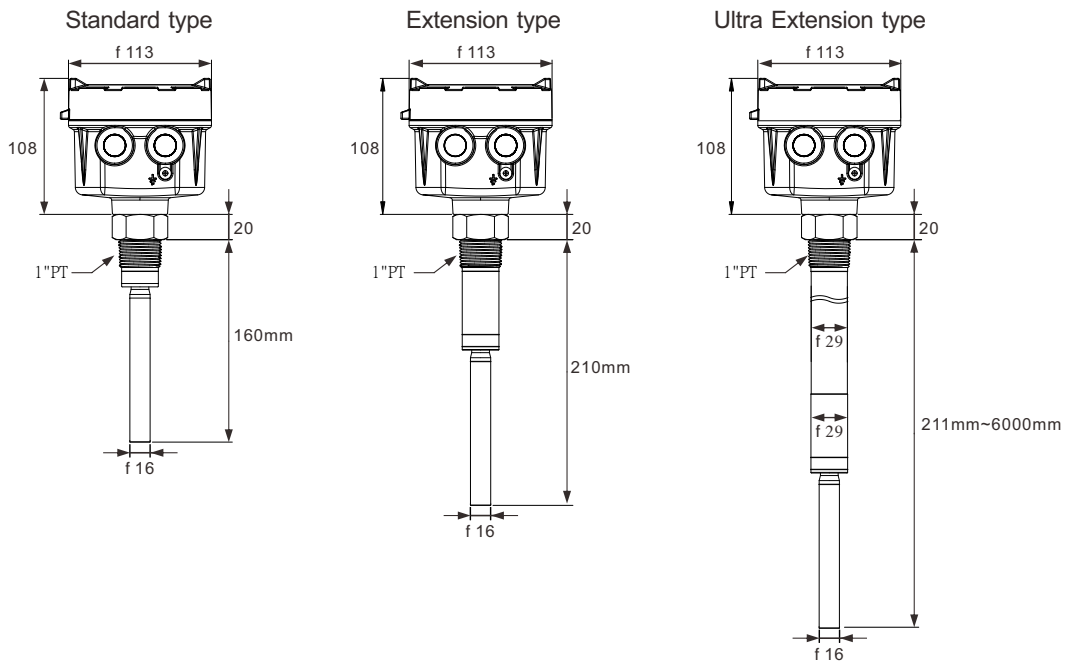


SPECIFICATIONS

| Model | Standard type | Extension type | Ultra Extension type |
|------------------------------|---|----------------|----------------------|
| Operating voltage | 100~240VAC · 50/60 Hz 18~30VDC | | |
| Power consumption | 10 VA@100~240VAC Input 2W@18~30VDC Input | | |
| Vibration frequency | About 330~360Hz | | |
| Min. material density sensed | 0.04 g/cm ³ | | |
| Selectable density | H / L | | |
| Selectable Fail-safe | FSH / FSL | | |
| Operating temperature | -40~150°C | | |
| Ambient temperature | -40~85 °C | | |
| Operating pressure | 16 BAR | | |
| Signal output | Relay*2 (SPDT · 5A / 240 VAC;A / 28Vdc) | | |
| Level sensor housing | Aluminum / IP65 | | |
| Wetted materials | SUS304 / SUS316 / SUS316L | | |
| Standard connection | 1"PT | | |
| Probe length | 160 mm | 210 mm | 211mm~6000mm |
| Display | Green LED light: power indicator Red LED light: action indicator | | |

DIMENSIONS

(Unit:mm)



ORDER INSTRUCTIONS

SCX 6 0 0 0 0 - ⁰⁹ AA ¹² ¹³ ¹⁴ ¹⁵ ¹⁶ ¹⁷ ¹⁸ ¹⁹ ²⁰ 0 0 ²³ ²⁴ ²⁵ ²⁶

⁰⁹ Construction

A: Standard type B: Extension type C: Ultra Extension type

¹² Power supply

C: 100~240Vac,50/60Hz ; Relay SPDT*2 ; Euro Terminal
D: 18~30Vdc ; Relay SPDT*2 ; Euro Terminal

Connection

¹³ ¹⁴

AA: JIS
AB: ISO
AC: ANSI/ASTM
AI: 3A
AJ: JIS-RF
AN: ANSI-RF

¹⁵ ¹⁶

A8: 1"
A9: 1-1/4"
B1: 1-1/2"
B2: 2"
B4: 2-1/2"
B5: 3"

¹⁷ ¹⁸

01: PT male
03: PF male
40: 5kg cm²
42: 10kg cm²
48: 150Lbs
57: PN10

¹⁹ ²⁰ Probe material

MA: SUS304 MB: SUS316 MC: SUS316L

²³ ²⁴ ²⁵ ²⁶ Probe length

| Code | Probe length |
|-----------|------------------------------------|
| 0160 | 160mm(Standard type) |
| 0210 | 210mm(Extension type) |
| 0211~6000 | 211mm~6000mm(Ultra Extension type) |



No.16, Tzuchiang St., Tucheng, District New Taipei City, Taiwan.
TEL: 886 2 2269 6789 | FAX: 886 2 22686682 | <http://www.fine-tek.com>
Email: info.tp@fine-tek.com

