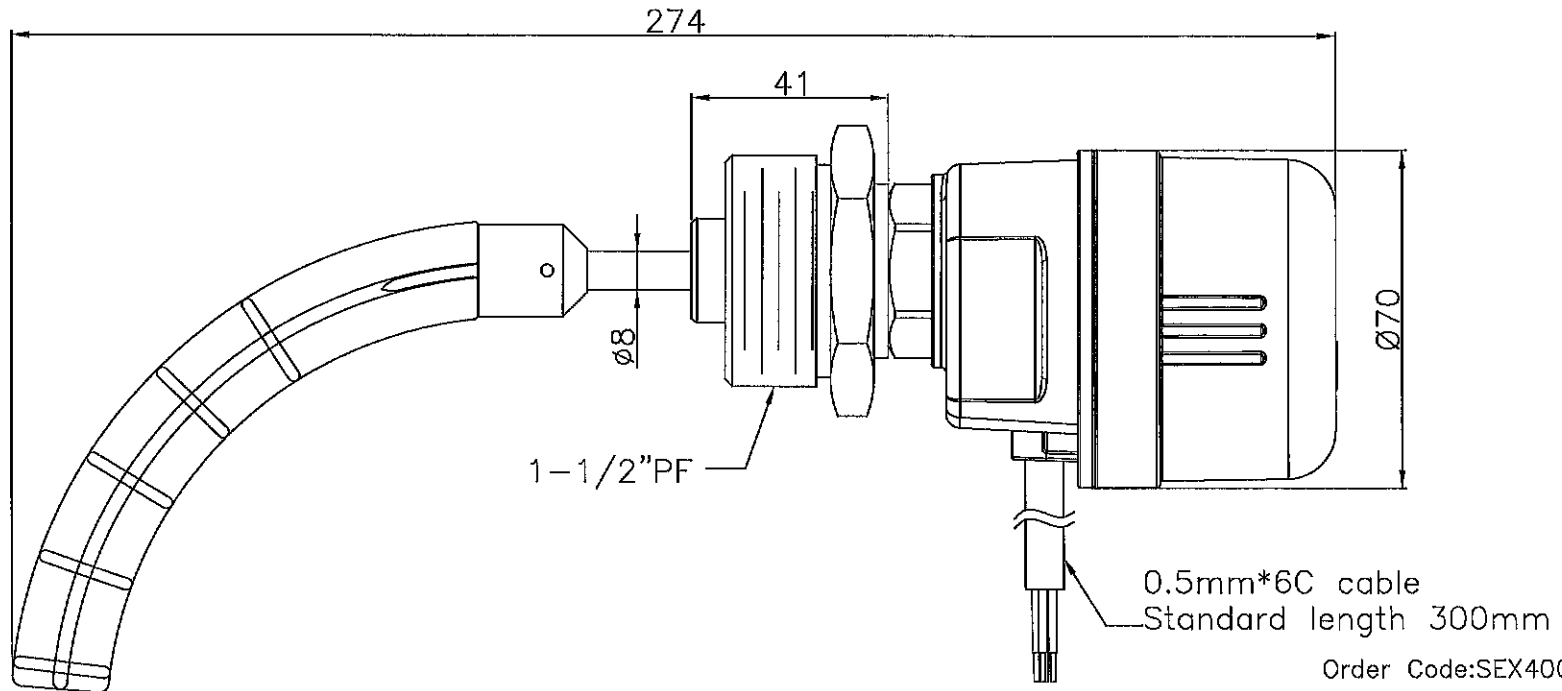


MODEL: SE290BERH

DESCRIPTION	MATERIAL & SPECIFICATION
Housing	PC (IP65)
Connection size	1-1/2" PF
Paddle shapes	SCIMITAR PADDLE (PC)
Supply voltage	220Vac 50/60Hz
Power consumption	1.5W
Contact capacity	SPDT 3A/250Vac
Rotary speed	1 R.P.M.
Specific Gravity	0.3g/cm ³
Operation temp	-20~80°C



Order Code:SEX40000-CABAAB103H0300

ROTARY PADDLE LEVEL SWITCH

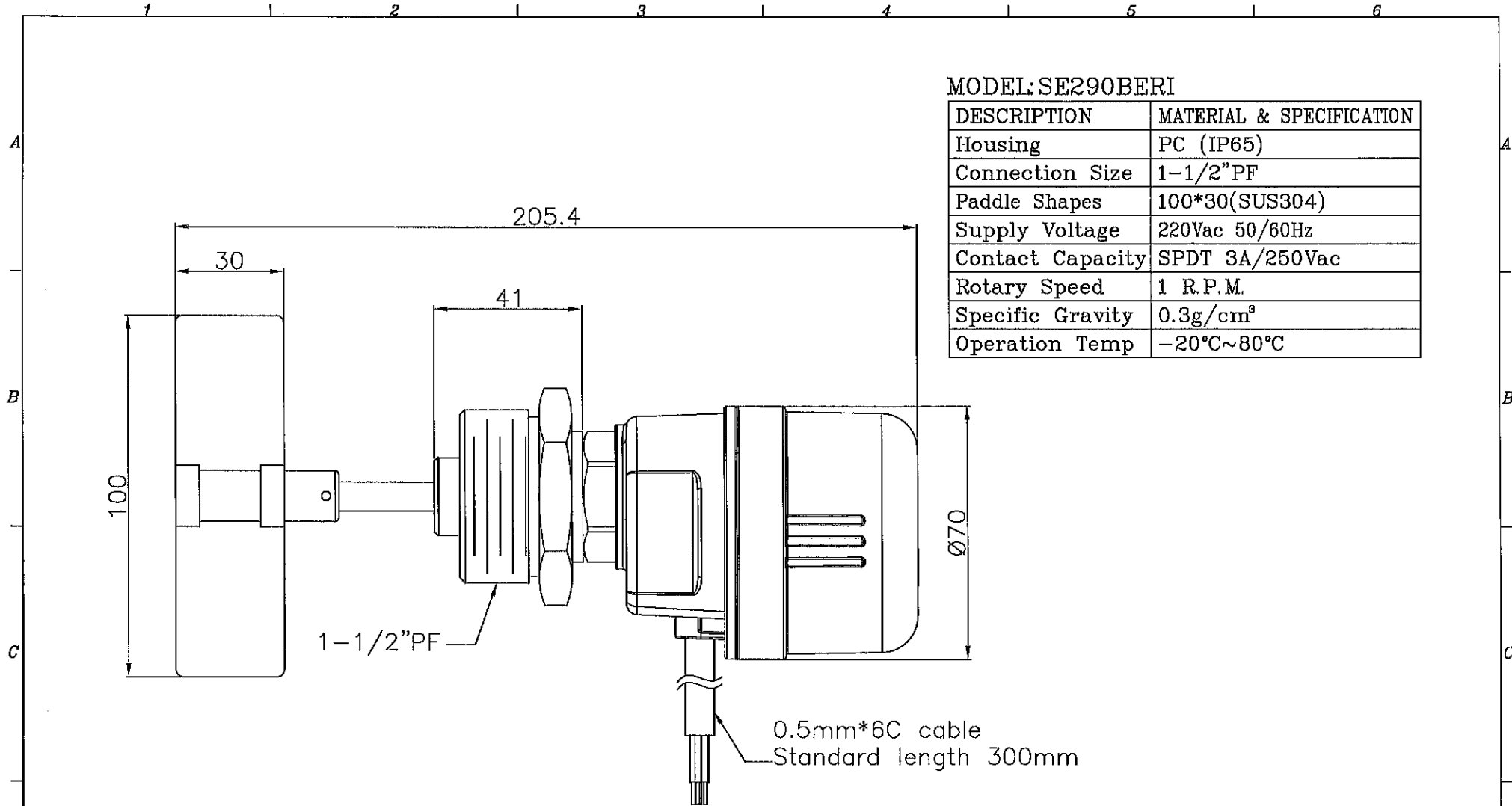
Copyright, without permission, is prohibited reproduction, retained or circulated Rights Reserved.

REV.	DATE	REVISION	SECTION

	FineTek Co.,Ltd. e-mail:info@fine-tek.com http://www.fine-tek.com	SA APPROVED	APPROVED BY CLIENT	MODEL: SE290BERH	DRAWING	Arya	DATE: 2020.04.29	UNIT: mm	REV. DO
	SALES	RD/PR APPROVED		SCALE: 1:1.5					

MODEL: SE290BERI

DESCRIPTION	MATERIAL & SPECIFICATION
Housing	PC (IP65)
Connection Size	1-1/2"PF
Paddle Shapes	100*30(SUS304)
Supply Voltage	220Vac 50/60Hz
Contact Capacity	SPDT 3A/250Vac
Rotary Speed	1 R.P.M.
Specific Gravity	0.3g/cm ³
Operation Temp	-20°C~80°C



Order Code:SEX40000-CABAAB103I0300

ROTARY PADDLE LEVEL SWITCH

Copyright, without permission, is prohibited reproduction, retained or circulated Rights Reserved.

REV.	DATE	REVISION	SECTION

	FineTek Co.,Ltd. e-mail:info@fine-tek.com http://www.fine-tek.com	SA APPROVED	APPROVED BY CLIENT	MODEL: SE290BERI	DRAWING		DATE:	UNIT: mm	REV.
		SALES	RD/PR APPROVED	Arya	2020.04.29	SCALE: 1:1.5	DO		



www.fine-tek.com

Rotary Paddle Level Switch



INTRODUCTION

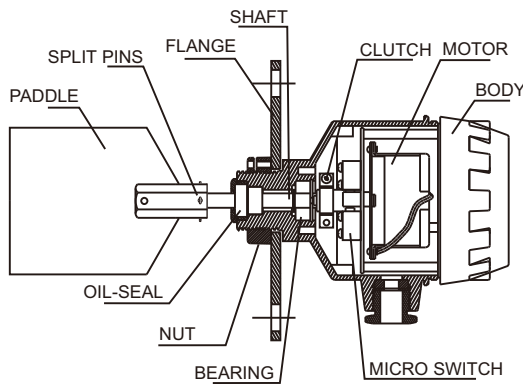
WORKING PRINCIPLE

The purpose of the rotary paddle level switch is to detect the presence of solid/powdery material in most kinds of tanks, bins and containers. The unit is usually located through a bin wall at the top, middle or low level of a bin. During normal operation (no material present) a synchronous motor rotates the paddle at RPM. When this paddle rotation is impeded by material, surrounding the paddle, motor will stall and cause the Micro-switch to change state (indicating an alarm or control).

APPLICATIONS

- Plastics and synthetics
- Chemicals and fertilizer
- Pharmaceuticals
- Food and beverage,
- Agriculture and fodder mills/depots
- Cement as well as ceramics
- Power plants
- Various incinerators

STRUCTURE



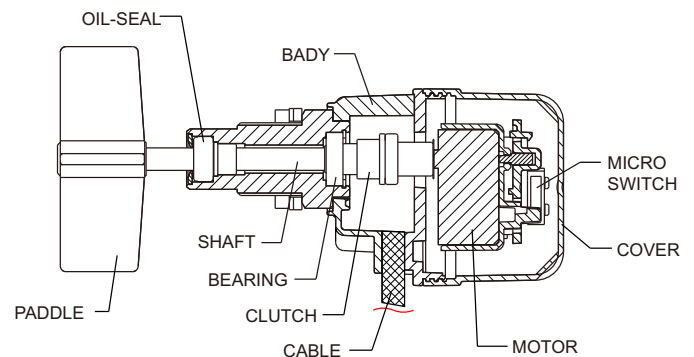
STANDARD TYPE SE1

FEATURES

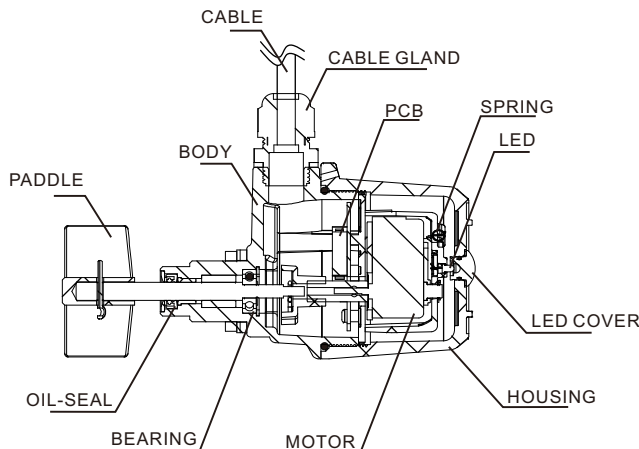
- Rugged sealing ring prevents dust from infiltrating the housing body along the shaft.
- Adjustable torque.
If the rotary paddle encounters overloading, the motor will automatically shut down the motor to prevent damage to the inner mechanisms and extend motor life.
- Very suitable for small tanks and low density materials
- Adjustable and extendible shaft models available
- A wide variety of paddles are available

BENEFITS

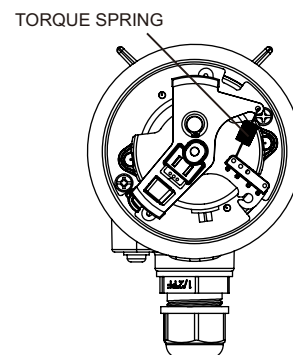
- Airtight sealed device.
- Outdoor and strenuous environment application
- Stable and reliable performance.
- Lightweight and easy to install
- Practically designed to allow maintenance, checks and replacement
- Not necessary to remove the complete set from the tank.



MINI TYPE SE2



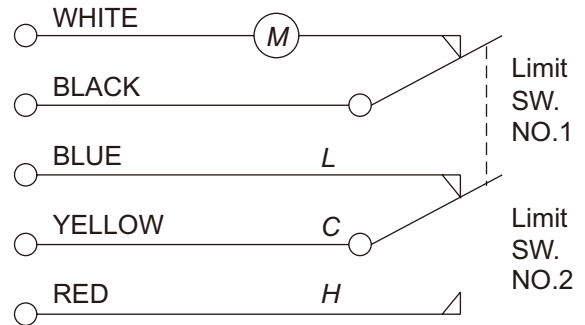
MINI TYPE SE3



WORKING PRINCIPLE & TORQUE ADJUSTING

CONTROL SWITCH WORKING PRINCIPLE

1. A synchronous turning motor indicates the tank or container's material isn't obstructing the paddles, C & L [COM & NC] are connected.
2. When the material is obstructing the paddles, C&L [COM & NC] are disconnected, C&H [COM & NO] are connected and the motor's current is cut off.
3. When the material drops away from the paddles and the motor starts again C & L [COM & NC] connect and the cycle has begun once again.



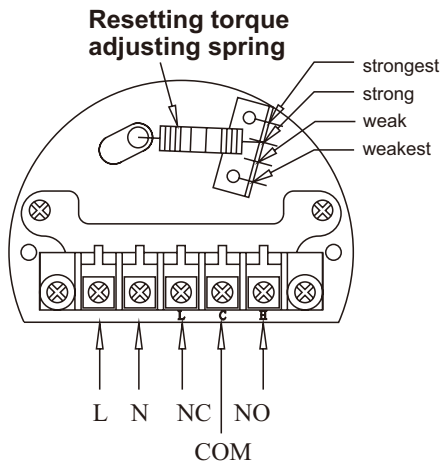
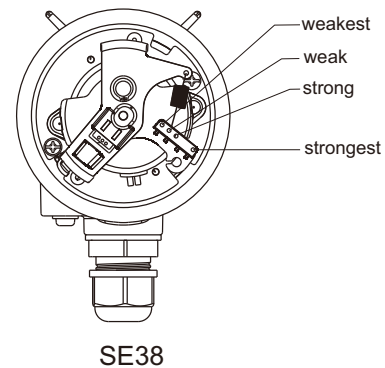
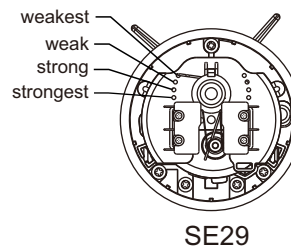
TORQUE ADJUSTING MECHANISM AND WIRING

The torque spring is applied to adjust the shaft output torque. Default settings are "weak" and can be adjusted to the customer's target based on the tank contents and S.G. (special gravity) of the material.

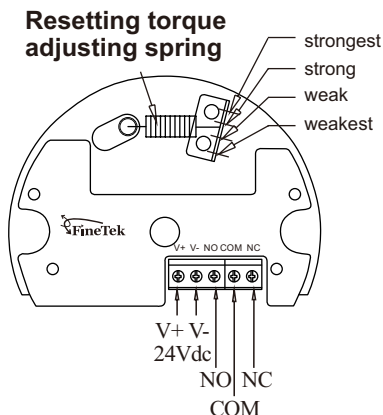
Higher S.G. materials require stronger torque settings. Start with high settings and slowly release the torque force until the appropriate setting is found.

- Do not tamper with the spring as it may cause the Rotary Paddle to malfunction.

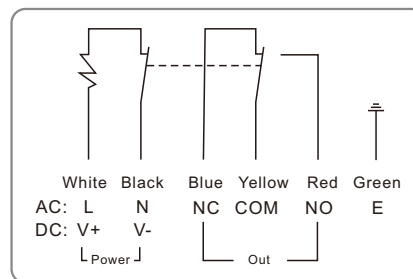
Spring adjusting hole



Available: SE1 (A,B,C,D)



Available: SE1(E)



Available: SE2/SE3

STANDARD TYPE

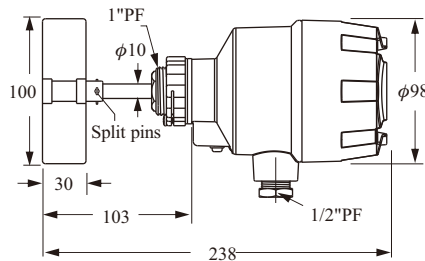
- **Power source** : (A)110Vac,(B)220Vac,(C)240Vac, (D)24Vac, 50/60Hz (E)24Vdc
- **Power consumption** : 3W, 11W(DC24V)
- **Contact capacity** : SPDT, 5A/250Vac
- **Rotary speed** : 1 R.P.M.
- **Insulation test voltage** : 2500V
- **Connection** : 1"PF screw or JIS 2-1/2" x 5kg/cm² flange
- **Protection/ material** : IP65 / ADC-12
- **Conduit** : 1/2"PF
- **Material density** : 0.5 g/cm³

SCREW TYPE

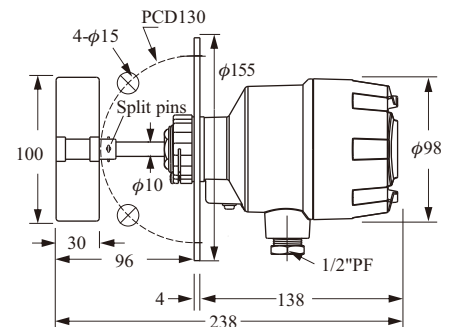
SE110 Series

- Horizontal mounting
- Operation Temperature (-20°C ~ 70°C)
- Weight: 1.2 kg

SE110 Series



SE111 Series



FLANGE TYPE

SE111 Series

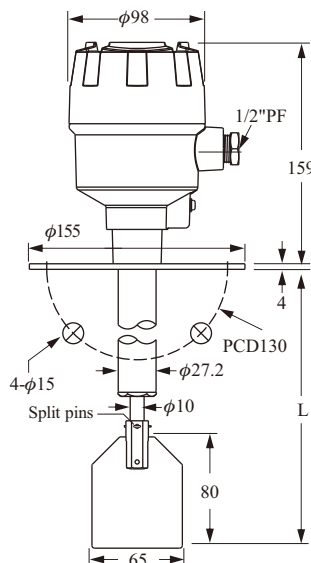
- Horizontal mounting
- Operation Temperature (-20°C ~ 70°C)
- Weight: 1.7 kg

SHAFT PROTECTIVE TUBE TYPE

SE120 Series

- Horizontal /Vertical mounting
- Operation Temperature (-20°C ~ 70°C)
- Weight: 1.2 kg
- Standard Length:
 - L--250mm (2.2 kg)
 - L--500mm (2.5 kg)
 - L--750mm (2.8 kg)
- Customized lengths available

SE120 Series

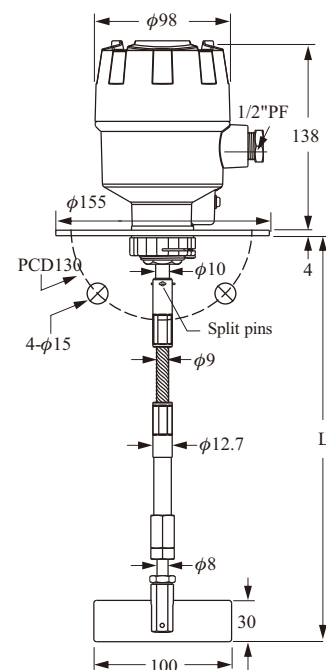


SE130 Series

SHAFT LENGTH ADJUSTABLE TYPE

SE130 Series

- Vertical mounting
- Operation Temperature (-20°C ~ 70°C)
- Standard Length:
 - L- 460~630mm (2.5 kg)
 - L- 650~1000mm (2.8 kg)
 - L- 760~1200mm (3.0 kg)
- Customized lengths available



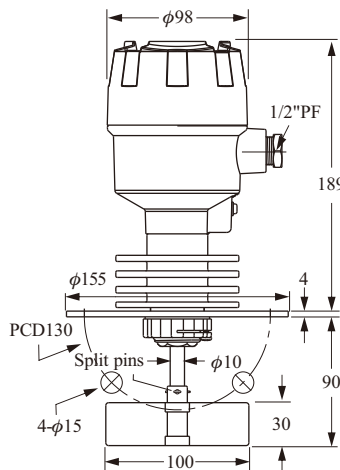
STANDARD TYPE

HI-TEMP TYPE

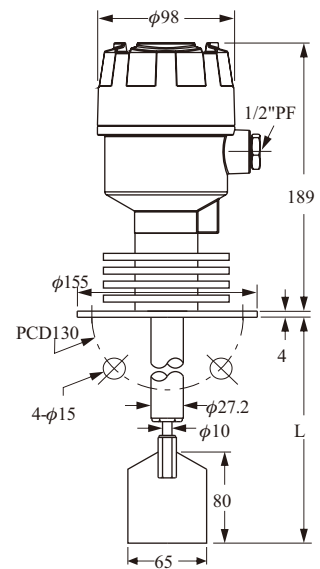
SE140 Series

- Horizontal mounting
- Temp. (-20°C ~ 200°C)
- Weight: 2.1 kg

SE140 Series



SE141 Series



HI-TEMP TYPE

PROTECTIVE TUBE TYPE

SE141 Series

- Horizontal /Vertical mounting
- Operation Temperature (-20°C ~ 200°C)
- Standard Length (option):
 - L--250mm (2.6 kg)
 - L--500mm (2.9 kg)
 - L--750mm (3.2 kg)
- Special length is made by order

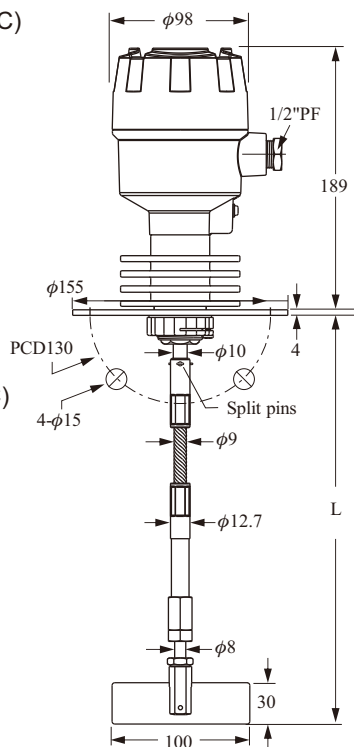
HI-TEMP SHAFT

LENGTH ADJUSTABLE TYPE

SE146 Series

- Vertical mounting
- Operation Temperature (-20°C ~ 200°C)
- Standard Length (option):
 - L- 450~630mm (3 kg)
 - L- 650~1000mm (3.3 kg)
 - L- 760~1200mm (3.5 kg)
- Special length is made by order

SE146 Series

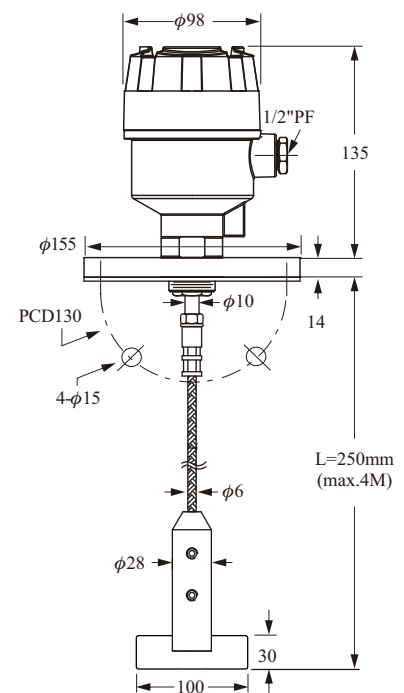


SE160 Series

CABLE WIRE TYPE

SE160 Series

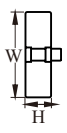
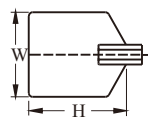
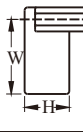
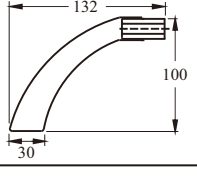
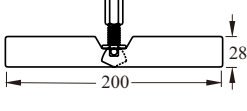
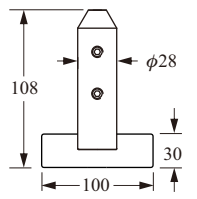
- Vertical mounting
- Operation Temperature (-20°C ~ 70°C)
- Standard Length (option):
 - L-- 450mm (2.5 kg)
 - L-- 650mm (2.8 kg)
 - L-- 750mm (3 kg)
- Special length is made by order



MODEL NUMBER / ORDER CODE COMPARISON TABLE

Model Number	Order Code
SE110	SEX10000-AA
SE111	
SE120	SEX10000-AB
SE130	SEX10000-AC
SE140	SEX10200-AA
SE141	SEX10200-AB
SE146	SEX10200-AC
SE160	SEX10000-AD

New / Old paddle model comparison table

New	Figure	Dimension(WxH)	Old
B		100x30	A
C		65x80	B
D		65x120	C
E		80x80	D
F		50x30	E
G		132x100	F
H		200x28	J
K		100x108	X

ORDER INFORMATION

SEX1 ⁰⁵ ⁰⁶ 00 - A ¹⁰ ¹¹ ¹² ¹³ ¹⁴ ¹⁵ ¹⁶ ¹⁷ ¹⁸ ¹⁹ ²⁰ ²¹ ²²

05 06 Model
 00: Standard
 02: Hi-temperature

10 Construction
 A: General type
 B: Shafe protective tube type
 C: Shafe length adjustable type
 D: Cable wire type

11 Power supply
 A: AC110V D: AC24V
 B: AC220V E: DC24V
 C: AC240V

Connection

12 13	14 15	16 17
Flange item	A8: 1"	01: PT male
AK: JIS-FF	B1: 1-1/2"	03: PF male
AN: ANSI-RF	B2: 2"	07: NPT male
AS: DIN-FF	B4: 2-1/2"	39: 5 kg/cm ² x4T(Thin flange)
BC: Standard thin flange (Suitable for 2-1/2"dimension)		40: 5 kg/cm ²
		42: 10 kg/cm ²
		48: 150 Lbs
Thread item		49: 300 Lbs
AA: JIS		57: PN10
AC: ANSI		58: PN16

18 Paddle model
 A: None
 B: 100x30(WxH)
 C: 65x80(WxH)
 F: 50x30(WxH)
 G: Scimitar type132x100(WxH)
 H: Folding type 200x28(WxH)
 K: 100x108(WxH)(Cable wire type only)

19 20 21 22 Length

Code	Length range
0001~4000	0001~4000mm

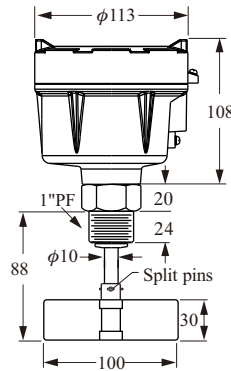
EXPLOSION PROOF TYPE

- **Power source** : (A)110Vac, (B)220Vac, (C)240Vac
(D)24Vac, 50/60Hz
- **Power consumption** : 3W
- **Contact capacity** : SPDT, 3A/250Vac
- **Rotary speed** : 1 R.P.M.
- **Insulation test voltage** : AC 1500V × 1minute

- **Connect** : 1"PF screw or flange 1"~6"
2-1/2" × 5kg/cm² (std.)
- **Housing material** : AL Alloy, ADC-12
- **Conduit** : 1/2" (std.) or 3/4"NPT
- **Material density** : 0.5 g/cm³

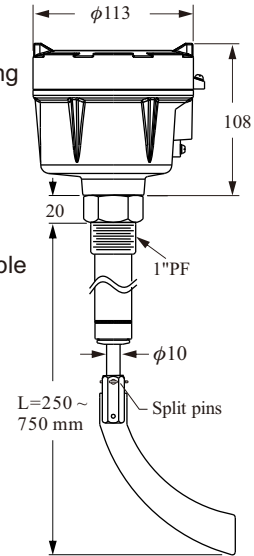
EXPLOSION PROOF CONNECTION TYPE SE170 series

- Horizontal mounting
- Temp. (-20°C ~ 70°C)



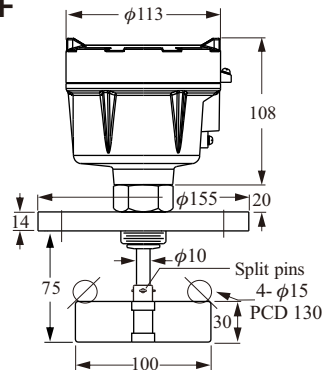
EXPLOSION PROOF SHAFT PROTECTION TYPE SE172 series

- Horizontal /Vertical mounting
- Temp. (-20°C ~ 70°C)
- Standard Length (option):
L-- 250mm
L-- 500mm
L-- 750mm
- Customized lengths available



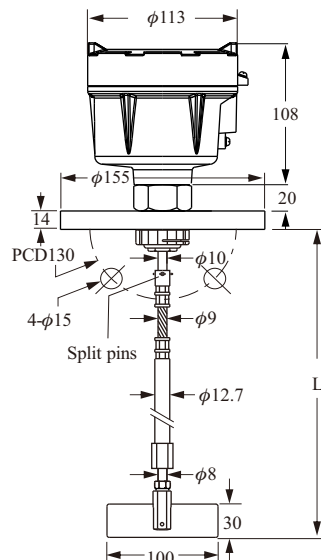
EXPLOSION PROOF FLANGE TYPE SE171 series

- Horizontal mounting
- Temp. (-20°C ~ 70°C)



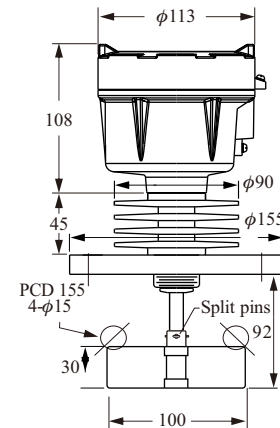
EXPLOSION PROOF ADJUSTABLE SHAFT TYPE SE173 series

- Vertical mounting
- Temp. (-20°C ~ 70°C)
- Standard Length (option):
L-- 450 ~630mm
L-- 650 ~1000mm
L-- 760 ~1200mm
- Special length is made by order



EXPLOSION PROOF HI-TEMP TYPE SE174 series

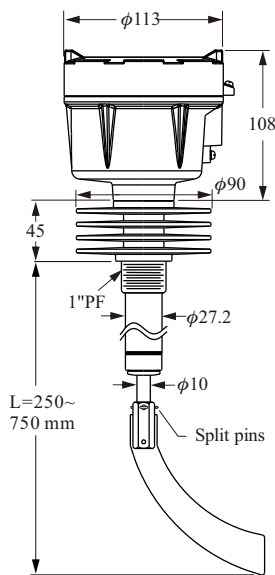
- Horizontal mounting
- Temp. (-20°C ~ 190°C)



EXPLOSION PROOF TYPE

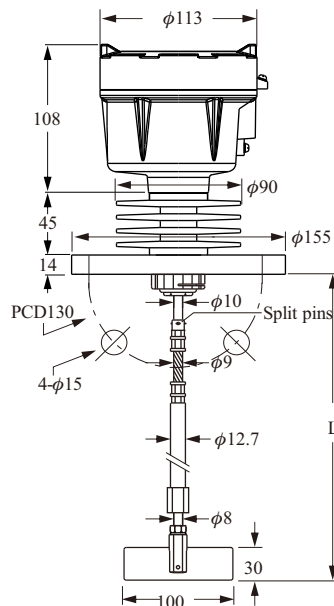
EXPLOSION PROOF HI-TEMP SHAFT PROTECTIVE TUBE TYPE SE175 Series

- Horizontal /Vertical mounting
- Temp. (-20°C ~ 190°C)
- Special length is made by order



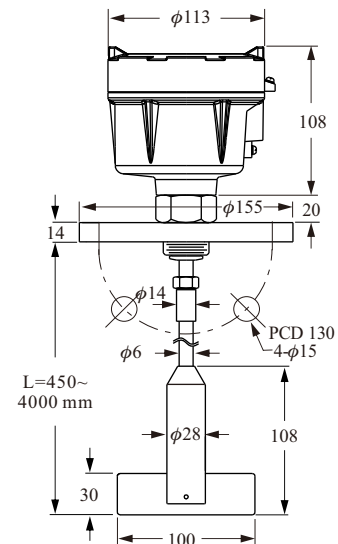
EXPLOSION PROOF HI-TEMP ADJUSTABLE SHAFT TYPE SE176 Series

- Vertical mounting
- Temp. (-20°C ~ 190°C)
- Special length is made by order

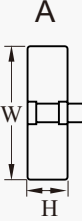
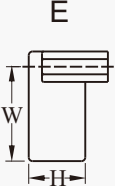
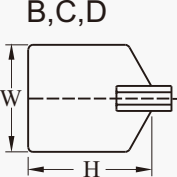
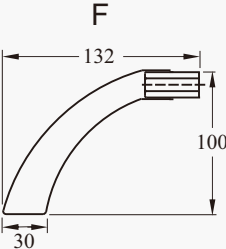


EXPLOSION PROOF CABLE WIRE TYPE SE177 Series

- Vertical mounting
- Temp. (-20°C ~ 70°C)
- Special length is made by order



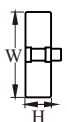
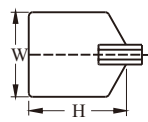
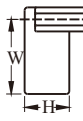
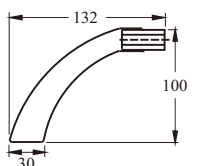
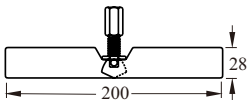
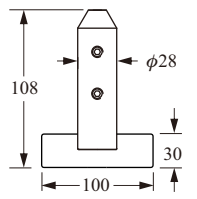
■ Paddle Introduction

	<p>(A) 100x30 (WxH), Min. fixed hole diameter size φ90mm.</p>		<p>(E) 50x30 (WxH), Suitable for high S.G. raw materials. Use a small size paddle to decrease the impact of material falling directly on paddle.</p>
	<p>(B) 65x80 (WxH), Directly mounted into 2-1/2\" fixed hole. (C) 65x120 (WxH), Directly mounted into 2-1/2\" fixed hole. (D) 80x80 (WxH)</p>		<p>(F) Scimitar model paddle, Screw tightly on the 1\" diameter fixed hole, It is easier to mount and dismount.</p>

MODEL NUMBER / ORDER CODE COMPARISON TABLE

Model Number	Order Code
SE170	SEX300□□-AA
SE171	
SE172	SEX300□□-AB
SE173	SEX300□□-AC
SE174	SEX302□□-AA
SE175	SEX302□□-AB
SE176	SEX302□□-AC
SE177	SEX300□□-AD

New / Old paddle model comparison table

New	Figure	Dimension(WxH)	Old
B		100x30	A
C		65x80	B
D		65x120	C
E		80x80	D
F		50x30	E
G		132x100	F
H		200x28	J
K		100x108	X

ORDER INFORMATION

SEX3 ⑤⑥ ⑦⑧ -A ⑩ ⑪ ⑫ ⑬ ⑭ ⑮ ⑯ ⑰ ⑱ ⑲ ⑳ ㉑ ㉒

⑤⑥ **Model**
 00: Standard
 02: Hi-temperation

⑦⑧ **Certification**
 1C: ATEX-Exd
 2C: IECEx-Exd
 5C: TS-Exd
 7C: NEPSI-Exd

⑩ **Construction**
 A: General type
 B: Shafe protective tube type
 C: Shafe length adjustable type
 D: Cable wire type

⑪ **Power supply**
 A: AC110V
 B: AC220V
 C: AC240V
 D: AC24V

Connection

<p>⑫⑬ Flange item AK: JIS-FF AN: ANSI-RF AS: DIN-FF</p> <p>Thread item AA: JIS AC: ANSI</p>	<p>⑭⑮ A8: 1" B1: 1-1/2" B2: 2" B4: 2-1/2"</p>	<p>⑯⑰ 01: PT male 03: PF male 07: NPT male 40: 5 kg/cm² 42: 10 kg/cm² 48: 150 Lbs 49: 300 Lbs 57: PN10 58: PN16</p>
---	---	--

⑱ **Paddle model**

<p>A: None B: 100x30(WxH) C: 65x80(WxH)</p>	<p>F: 50x30(WxH) G: Scimitar type 132x100(WxH) K: 100x108(WxH)(Cable wire type only)</p>
---	--

⑲⑳㉑㉒ **Length**

Code	Length range
0001~4000	0001~4000mm

MINI TYPE(ALUMINUM ALLOY COVER)

Housing cover code:
 0: Aluminum cover
 1: Aluminum cover with LED lamp

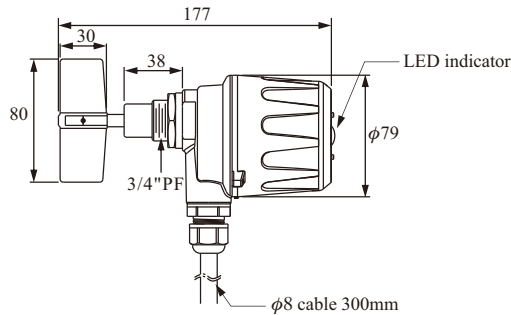
- **Power source** : (A)110Vac,(B)220Vac,(C)240Vac, (D)24Vac, 50/60Hz,(E)24Vdc
- **Power consumption** : 1.5W
- **Contact capacity** : 5A/250Vac, 5A/30Vdc
- **Rotary speed** : 1R.P.M.
- **IP rating** : IP65

- **Housing material** : Aluminum alloy
- **Ambient temperature** : -40°C ~ 85°C
- **Cable length** : 300mm (available for custom length)
- **Material density** : 0.3 g/cm³
- **Display status** : Green(Working), Red(Stopped)

STANDARD TYPE

SE38□0 Series

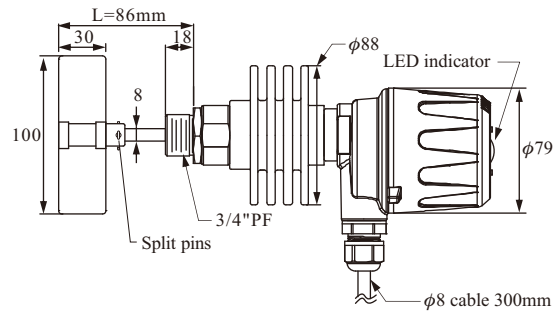
- Operation temperature: -40°C ~ 85°C
- Paddle material: PC



HIGH TEMPERATURE TYPE

SE38□4 Series

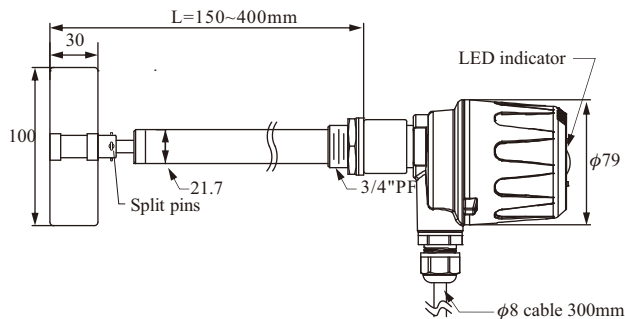
- Operation temperature: -40°C ~ 200°C
- Paddle material: SUS304



SHAFT PROTECTIVE TUBE TYPE

SE38□2 Series

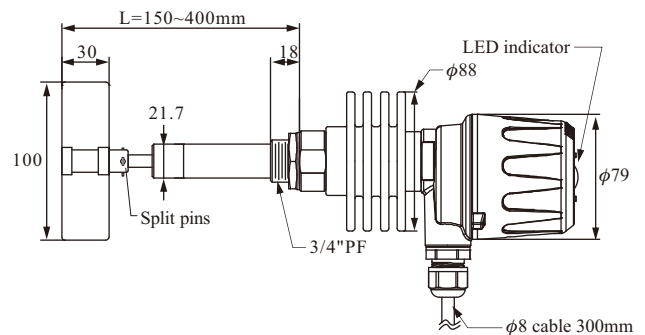
- Operation temperature: -40°C ~ 85°C
- Paddle material: SUS304



HIGH TEMPERATURE SHAFT PROTECTIVE TUBE TYPE

SE38□5 Series

- Operation temperature: -40°C ~ 200°C
- Paddle material: SUS304

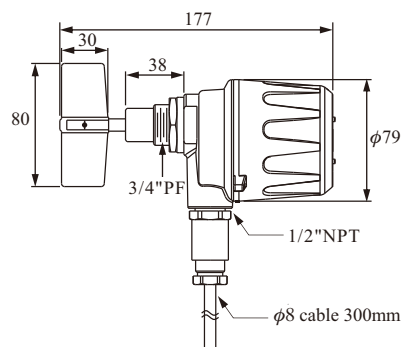


MINI TYPE(EXPLOSION PROOF)

- **Power source** : (A)110Vac,(B)220Vac,(C)240Vac, (D)24Vac, 50/60Hz,(E)24Vdc
- **Power consumption** : 1.5W
- **Contact capacity** : 5A/250Vac, 5A/30Vdc
- **Rotary speed** : 1R.P.M.
- **IP rating** : IP65
- **Housing material** : Aluminum alloy
- **Ambient temperature** : -40°C ~ 85°C
- **Cable length** : 300mm (available for custom length)
- **Material density** : 0.3 g/cm³

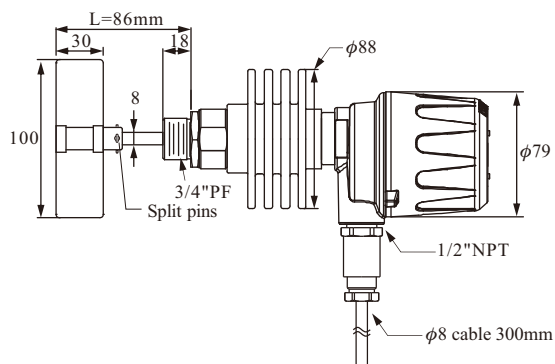
STANDARD TYPE SE3700 Series

- Operation temperature: -40°C ~ 80°C
- Paddle material: PC



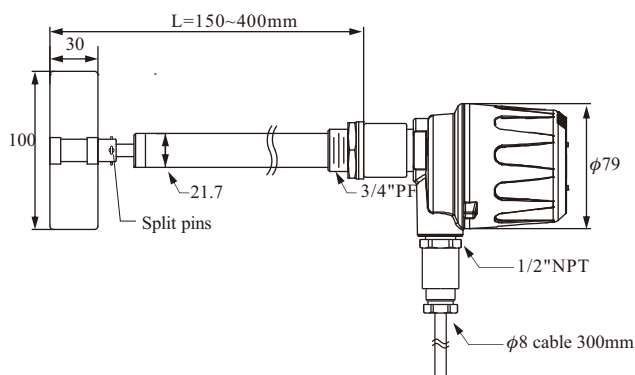
HIGH TEMPERATURE TYPE SE3704 Series

- Operation temperature: -40°C ~ 195°C
- Paddle material: SUS304



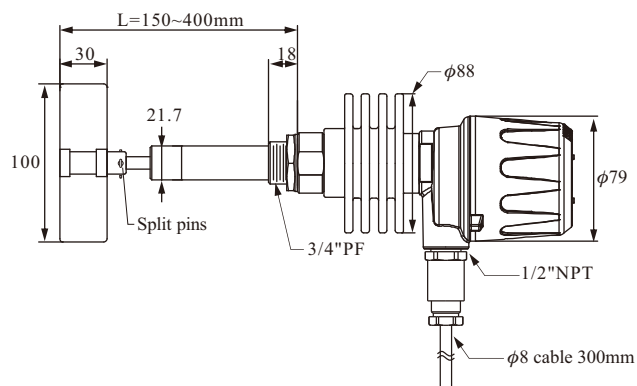
SHAFT PROTECTIVE TUBE TYPE SE3702 Series

- Operation temperature: -40°C ~ 80°C
- Paddle material: SUS304



HIGH TEMPERATURE SHAFT PROTECTIVE TUBE TYPE SE3705 Series

- Operation temperature: -40°C ~ 195°C
- Paddle material: SUS304



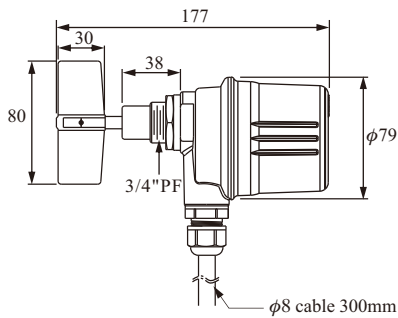
MINI TYPE(PLASTIC COVER)

- **Power source** : (A)110Vac,(B)220Vac,(C)240Vac,
(D)24Vac, 50/60Hz,(E)24Vdc
- **Power consumption** : 1.5W
- **Contact capacity** : 5A/250Vac, 5A/30Vdc
- **Rotary speed** : 1R.P.M.
- **IP rating** : IP65

- **Housing material** : Plastic cover
- **Ambient temperature** : -40°C ~ 85°C
- **Cable length** : 300mm (available for custom length)
- **Material density** : 0.3 g/cm³

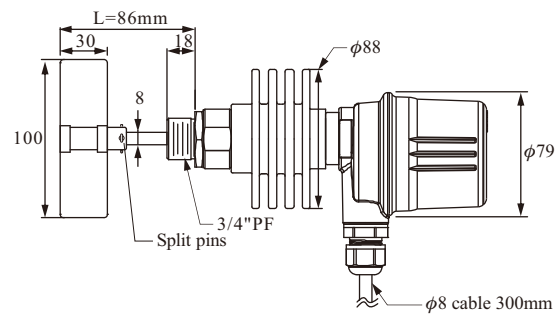
STANDARD TYPE SE3820 Series

- Operation temperature: -40°C ~ 85°C
- Paddle material: PC



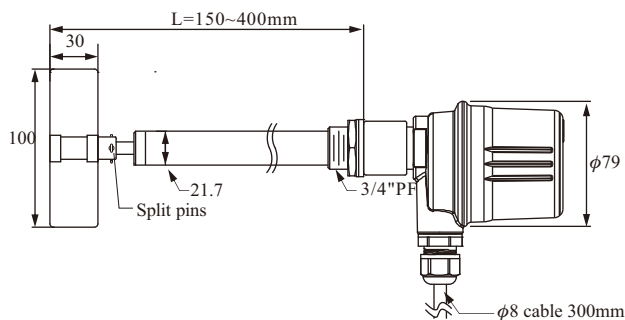
HIGH TEMPERATURE TYPE SE3824 Series

- Operation temperature: -40°C ~ 200°C
- Paddle material: SUS304



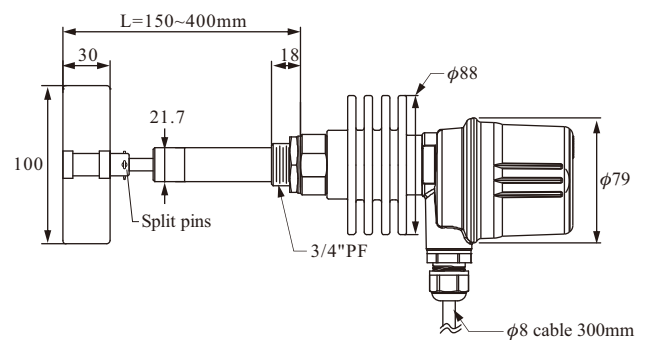
SHAFT PROTECTIVE TUBE TYPE SE3822 Series

- Operation temperature: -40°C ~ 85°C
- Paddle material: SUS304



HIGH TEMPERATURE SHAFT PROTECTIVE TUBE TYPE SE3825 Series

- Operation temperature: -40°C ~ 200°C
- Paddle material: SUS304


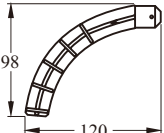
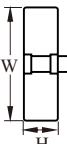
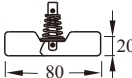


MODEL NUMBER / ORDER CODE COMPARISON TABLE

Model Number	Order Code
SE3700	SEX2007D-AA
SE3702	SEX2007D-AB
SE3704	SEX2027D-AA
SE3705	SEX2027D-AB
SE3800	SEX20000-AA
SE3810	SEX20000-BA
SE3820	SEX20000-CA
SE3802	SEX20000-AB

Model Number	Order Code
SE3812	SEX20000-BB
SE3822	SEX20000-CB
SE3804	SEX20200-AA
SE3814	SEX20200-BA
SE3824	SEX20200-CA
SE3805	SEX20200-AB
SE3815	SEX20200-BB
SE3825	SEX20200-CB

New / Old paddle model comparison table

New	Figure	Dimension(WxH)	Old
G		80x30	G
H		98x120	H
I		100x30	I
K		80x20	K

ORDER INFORMATION

SEX2 ⑤ ⑥ ⑦ ⑧ ⑨ ⑩ ⑪ ⑫ ⑬ ⑭ ⑮ ⑯ ⑰ ⑱ ⑲ ⑳ ㉑ ㉒ ㉓ ㉔ ㉕ ㉖

⑤⑥ **Model** _____
 00: Standard
 02: Hi-temperation

⑦⑧ **Certification** _____
 00: None
 7D: NEPSI-Exd
 (The housing select A:Alumium cover only)

⑨ **Housing** _____
 A: Aluminum cover
 B: Aluminum cover with LED lamp
 C: Plastic cover

⑩ **Construction** _____
 A: General type
 B: Shafe protective tube type

⑪ **Power supply** _____
 A: AC110V
 B: AC220V
 C: AC240V
 D: AC24V
 E: DC24V

Connection _____

⑫⑬
 Flange item
 AK: JIS-FF
 AN: ANSI-RF
 AS: DIN-FF

⑭⑮
 A7: 3/4"
 A8: 1"
 B1: 1-1/2"
 B2: 2"

⑯⑰
 01: PT male
 03: PF male
 07: NPT male
 40: 5 kg/cm²
 42: 10 kg/cm²
 48: 150 Lbs
 49: 300 Lbs
 57: PN10
 58: PN16

(Next page)

ORDER INFORMATION

SEX2 ⁰⁵ ⁰⁶ ⁰⁷ ⁰⁸ ⁰⁹ ¹⁰ ¹¹ ¹² ¹³ ¹⁴ ¹⁵ ¹⁶ ¹⁷ ¹⁸ ¹⁹ ²⁰ ²¹ ²² ²³ ²⁴ ²⁵ ²⁶

¹⁸ **Paddle model**

- A: None
- G: PC; Cross type
- H: PC; Scimitar type 120x98(WxH)
- I : SUS; 100x30(WxH)
- K: SUS; Folding type 80x20(WxH)

¹⁹ ²⁰ ²¹ ²² **Length**

Code	Length range
0001~400	0001~400mm

²³ ²⁴ ²⁵ ²⁶ **Cable wire length**

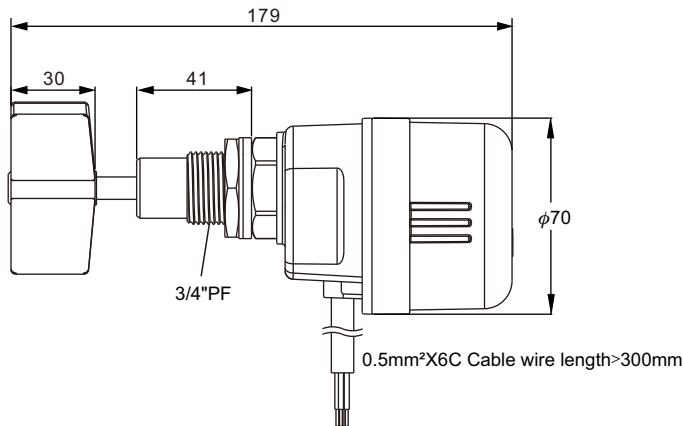
Code	Length range
0300~5000	0300~5000mm

MINI TYPE(ECONOMY)

- **Power source** : (A)110Vac,(B)220Vac,
(D)24Vac, 50/60Hz
- **Power consumption** : 1.5W
- **Contact capacity** : 3A/250Vac, 3A/30Vdc
- **Rotary speed** : 1R.P.M.
- **IP rating** : IP65
- **Housing material** : Plastic cover
- **Ambient temperature** : -20°C ~ 80°C
- **Cable length** : 300mm (available for custom length)
- **Material density** : 0.3 g/cm³

STANDARD SE290 A/B/D

- Operation temperature: -20°C ~ 80°C
- Paddle material: PC



MODEL NUMBER / ORDER CODE COMPARISON TABLE

Model Number	Order Code
SE290A	SEX40000-CAA
SE290B	SEX40000-CAB
SE290C	SEX40000-CAC
SE290D	SEX40000-CAD

ORDER INFORMATION

SEX4 0 0 0 0 - CA ⑪ ⑫ ⑬ ⑭ ⑮ ⑯ ⑰ ⑱ ⑲ ⑳ ㉑ ㉒

⑪ Power supply

- A: AC110V
- B: AC220V
- D: AC24V

Connection

⑫ ⑬

- Flange item
- AK: JIS-FF
- AN: ANSI-RF
- AS: DIN-FF

⑭ ⑮

- A7: 3/4"
- A8: 1"
- B1: 1-1/2"
- B2: 2"

⑯ ⑰

- 01: PT male
- 03: PF male
- 07: NPT male
- 40: 5 kg/cm²
- 42: 10 kg/cm²
- 48: 150 Lbs
- 49: 300 Lbs
- 57: PN10
- 58: PN16

⑱ Paddle model

- A: None
- G: PC; Cross type
- H: PC; Scimitar type 120x98(WxH)
- I: SUS; 100x30(WxH)
- K: SUS; Folding type 80x20(WxH)

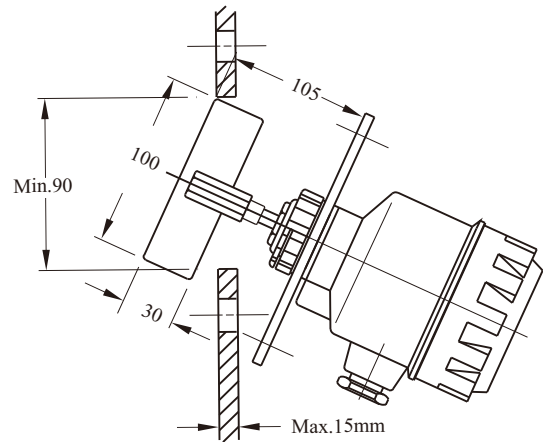
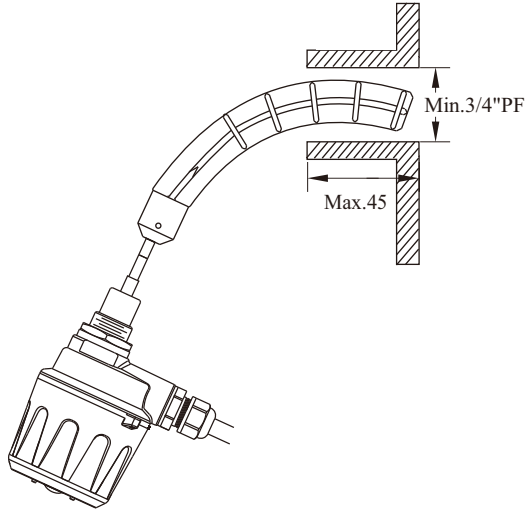
⑲ ⑳ ㉑ ㉒ Cable wire length

Code	Length range
0300~5000	0300~5000mm

MOUNTING EXAMPLES

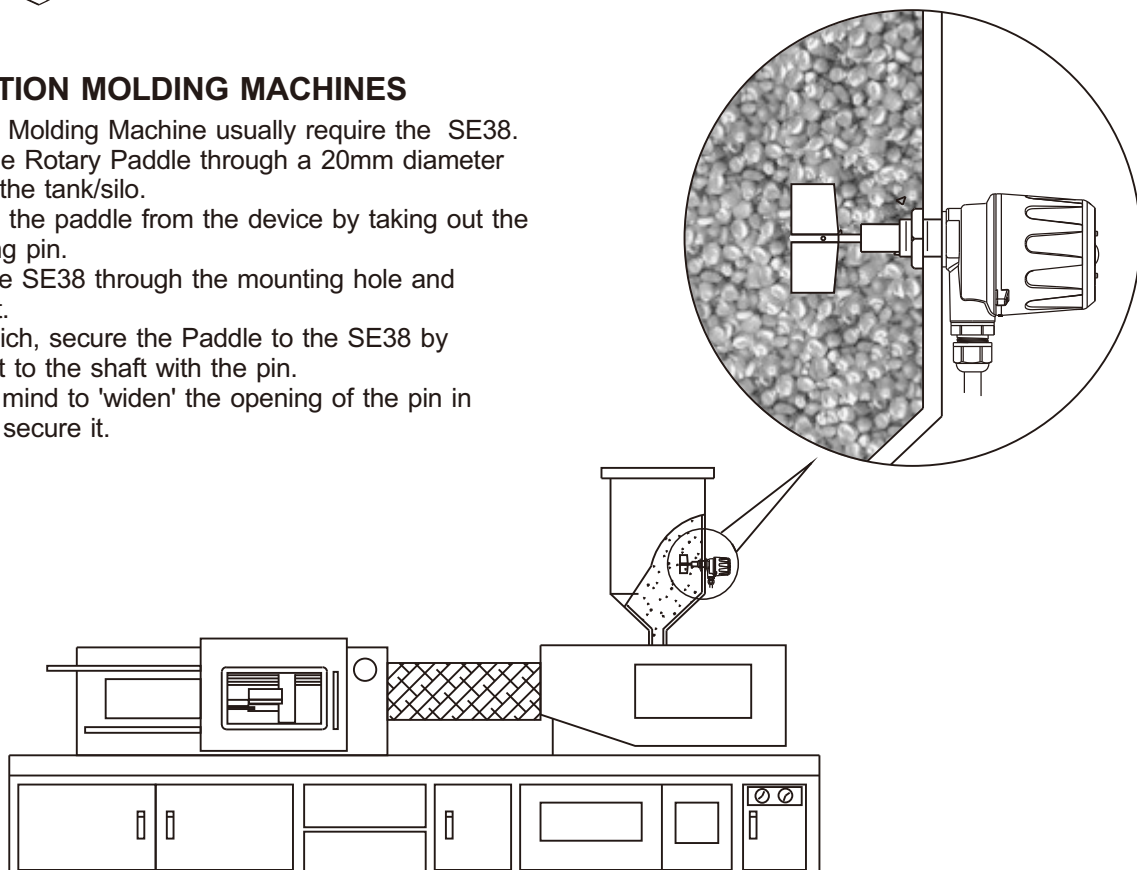
Regular models such as the SE11 should be installed directly on the tank side. Mount at a 35° angle the blade through the tank opening or hole sliding the blade in first.

* The SE170 series minimum hole size should be 95mm in diameter. The scimitar model is directly installed on the tank wall method as shown below. (Assuming an arc-shaped tank with a 3/4" connection) and then screwing it tight.

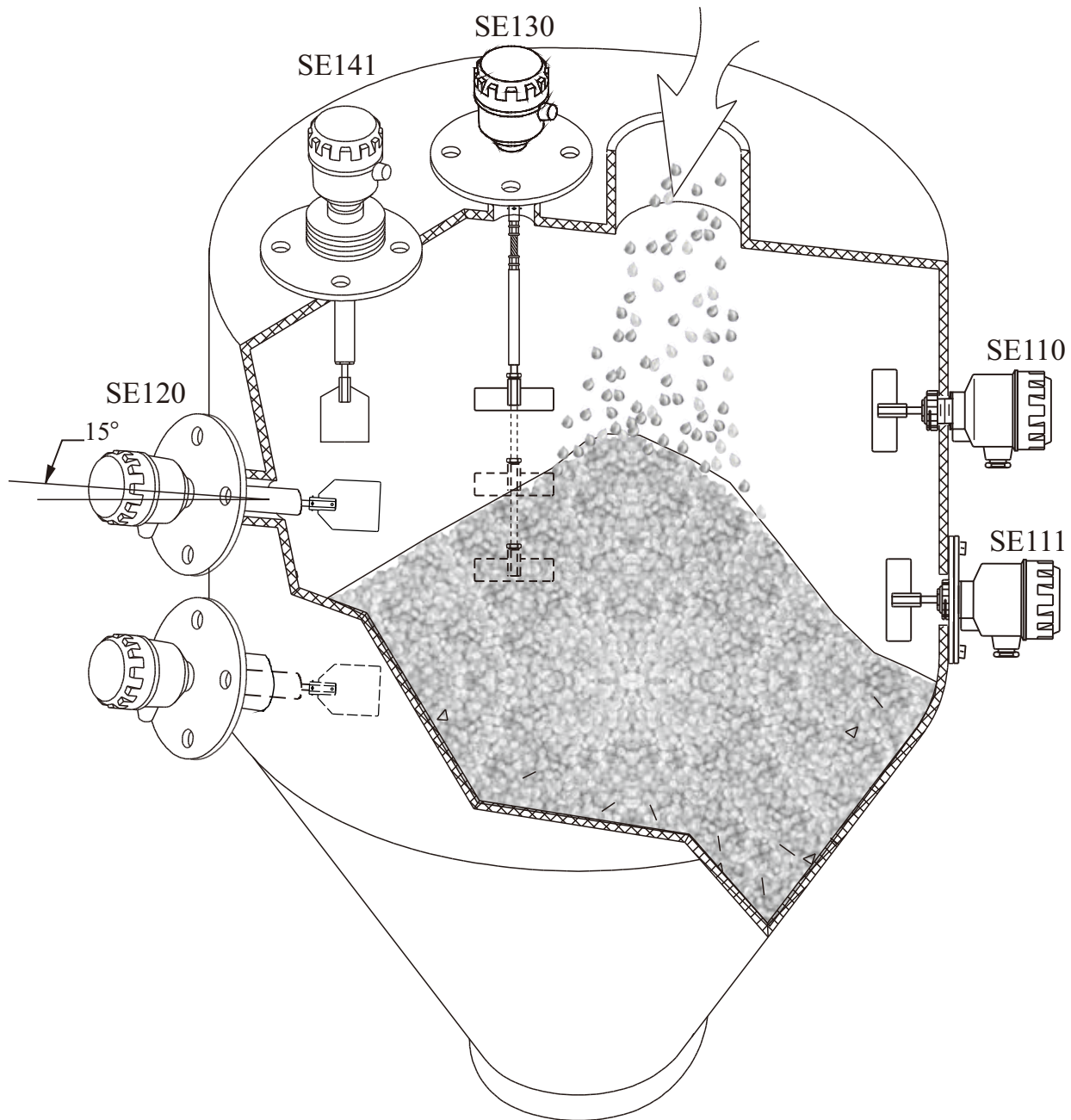


INJECTION MOLDING MACHINES

Injection Molding Machine usually require the SE38. Install the Rotary Paddle through a 20mm diameter hole on the tank/silo. Remove the paddle from the device by taking out the fastening pin. Insert the SE38 through the mounting hole and tighten it. After which, secure the Paddle to the SE38 by locking it to the shaft with the pin. Keep in mind to 'widen' the opening of the pin in order to secure it.



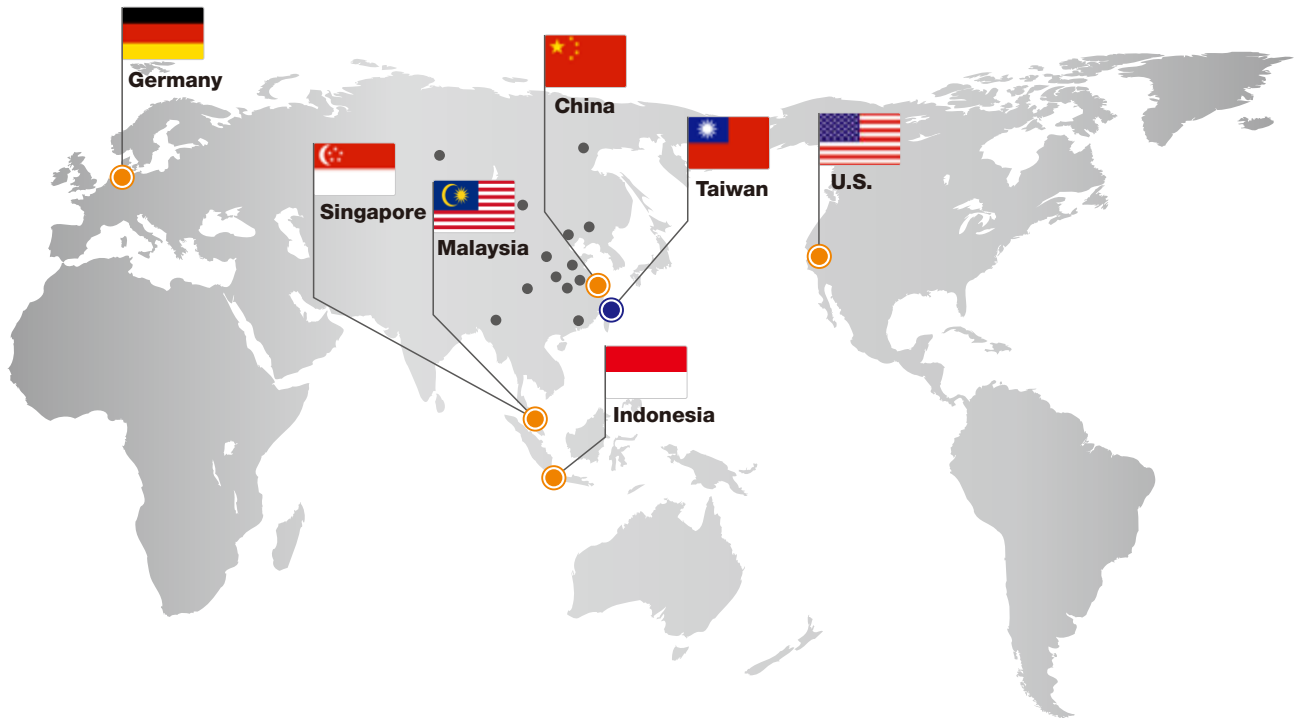
EXAMPLES



INSTALLATION NOTICES

1. Side mount the sensor at a downward angle of 15° ~ 20° to decrease the material inflow impact.
2. For high temperature application (more than 70°C), please use the SE14□ Series.
3. For SE110~SE140 using a 1" inlet, please apply the scimitar model and screw directly.
4. For SE130, SE146 series have flexible and extendible shafts.
5. Please ensure the lead wire enters the housing from the bottom and the nuts are fastened to secure the device.

Global Network



■ Head Quarte

● Taiwan

FineTek Co., Ltd. - Taipei Head Quarter 
 No.16, Tzuchiang St., Tucheng Industrial Park
 New Taipei City 236, Taiwan
 TEL: 886-2-2269-6789
 FAX: 886-2-2268-6682
 EMAIL: info@fine-tek.com

■ North America

● California, U.S.

Aplus Finetek Sensor Inc. - US Office
 355 S. Lemon Ave, Suite D, Walnut,
 CA 91789
 TEL: 1 909 598 2488
 FAX: 1 909 598 3188
 EMAIL: info@aplusfine.com

■ Europe

● Germany

FineTek GmbH - Germany Office
 Bei den Kämpen 26
 21220 Seevetal-Ramelsloh, Germany
 TEL: +49-(0)4185-8083-12
 FAX: +49-(0)4185-8083-80
 EMAIL: info@fine-tek.de

■ Asia

● China

Fine automation Co., Ltd. - Shanghai Factory 
 No.451 DuHui Rd, MinHang District, Shanghai,
 China 201109
 TEL: 86-21-6490-7260
 EMAIL: info.sh@fine-tek.com

● Singapore

FineTek Pte Ltd. - Singapore Office
 37 Kaki Bukit Place, Level 4 Singapore 416215
 TEL: 65-6452-6340
 EMAIL: info.sg@fine-tek.com

● Indonesia

PT. FineTek Automation Indonesia - Indonesia Office 
 PERGUDANGAN TUNAS BITUNG
 Jl. Raya Serang KM. 13,8, Blok C3 No. 12&15, Bitung Cikupa,
 Tangerang 15710
 TEL: 62 (021)-2958-1688
 EMAIL: info.id@fine-tek.com

● Malaysia

FineTek Co., Ltd. - Malaysia Office
 8-05, Plaza Azalea, Persiaran Bandaraya,
 Seksyen 14, 40000 Shah Alam, Selangor, Malaysia
 TEL: 603-5524-7168
 EMAIL: info.my@fine-tek.com

● Müttec Instruments GmbH - Germany Office

Bei den Kämpen 26
 21220 Seevetal-Ramelsloh, Germany
 TEL: +49-(0)4185-8083-0
 FAX: +49-(0)4185-8083-80
 EMAIL: muetec@muetec.de



Distributor: