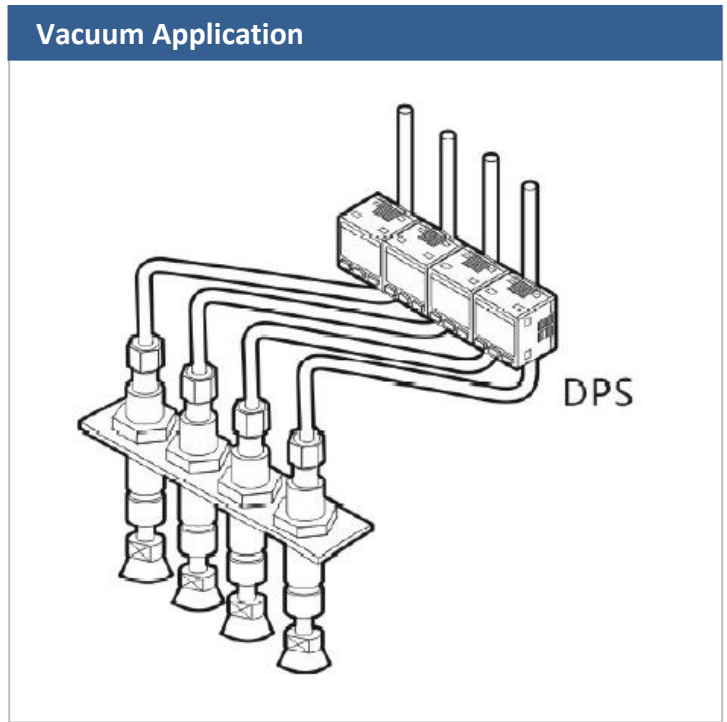
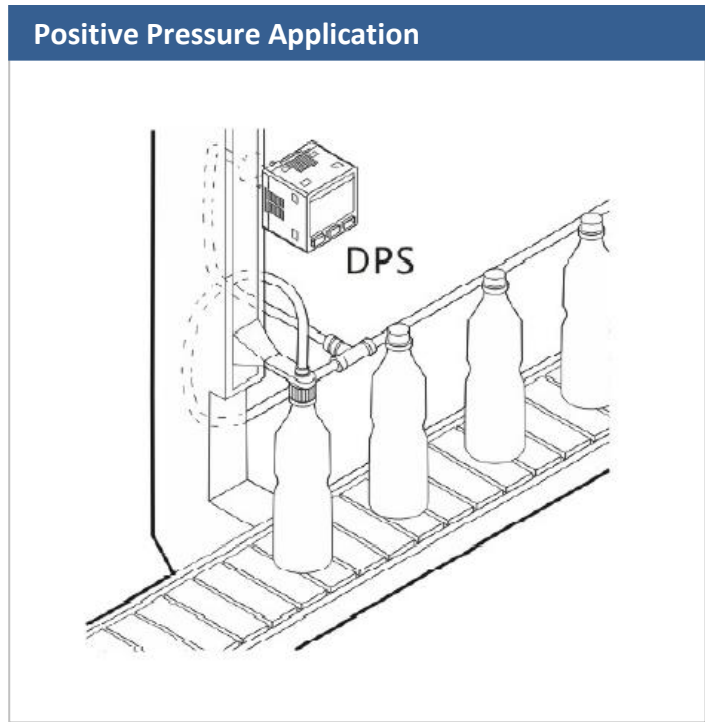
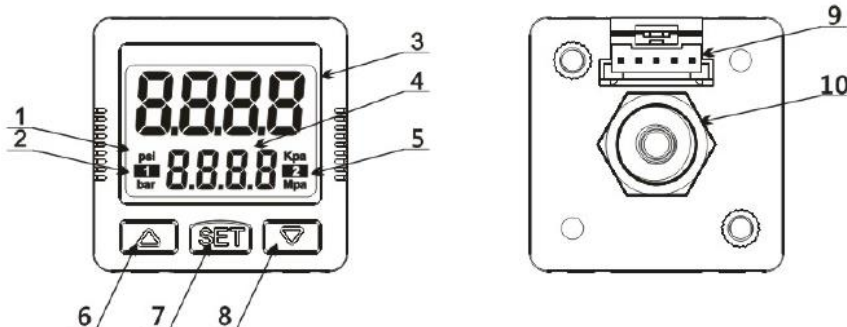




- Ultra low power consumption
- High performance LCD display
- Multiple measurement unit for option
- High quality



PANEL



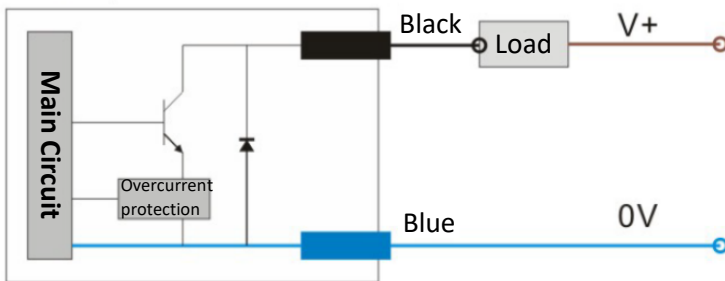
NO	NAME
1	Pressure unit
2	Output 1 indicator
3	Main display section
4	Sub display section
5	Output 2 indicator
6	Up button
7	Setting button
8	Down button
9	Electric interface
10	Pressure port

TECHNICAL SPECIFICATIONS

Model		DPS-201 Compound	DPS-210 Positive
Pressure Measure	Measuring range	-1bar ~1bar	-1bar ~10bar
	Setting range	-1bar ~1bar	0bar~10bar
	Withstand pressure	5bar	15bar
	Pressure type	Non-flammable, non-corrosive gas, gauge pressure measurement	
	Measure accuracy	$\leq \pm 2\%$ F.S. (ambient temperature 25°C)	
	Temperature error	$\leq \pm 3\%$ F.S. (temperature range 0~50°C)	
	Measure pattern	Hysterersis mode Compare mode of upper and lower bounds	
Port size		External R1/8, NPT1/8, G1/8 option, internal therad M5	
Display	Brief description	Double LCD display	
	Status display	4-digital measurement value, unit display, output status display	
	Display model	Adjustable backlight, 4 groups of display models	
Input power	Voltage range	12-24VDC $\pm 10\%$	
	Power consumption	40 mA max (non-load)	
Output signal	Transistor output	NPN open collector output Output current: 80 mA max. Voltage drop: $\leq 1K\Omega$	PNP open collector output Output current: 80 mA max. Voltage drop: $\leq 1K\Omega$
	Analog output	Voltage output Signal ampliude: 1-5V Load resistance: $\leq 1K\Omega$	Current output Signal ampliude: 4-20mA Load resistance: $\leq 400\Omega$
	Response time	Adjustable: 2.5ms, 20ms, 100ms, 500ms, 1000ms, 2000ms	
	Short-circuit protection	Yes	
Environmental resistant	IP class	IP40	
	Ambient temperature	Operating temperature 0~50°C, storage temperature -20~60°C	
	Ambient humidity	Operating humidity %35~80 RH	
	Insulation voltage	1000VAC 1 min	
	Insulation resistance	$\leq 50M\Omega$ (500VDC)	
	Shock	Max 100m/s ² , 3 times each in directions of X, Y and Z	
	Vibration	Amplitude 1.5mm. 10Hz-500Hz, 2 hours each direction of X, Y and Z	

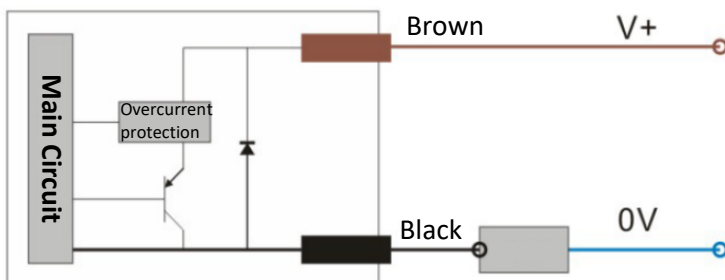
ELECTRICAL CONNECTION

NPN Output



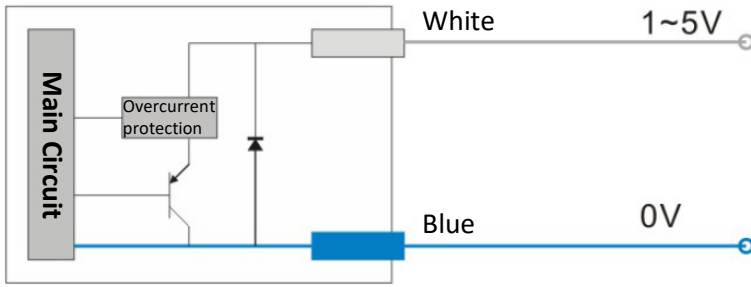
NPN OC circuit:
Low level output when the switch is on
High resistance when the switch is off

PNP Çıkış

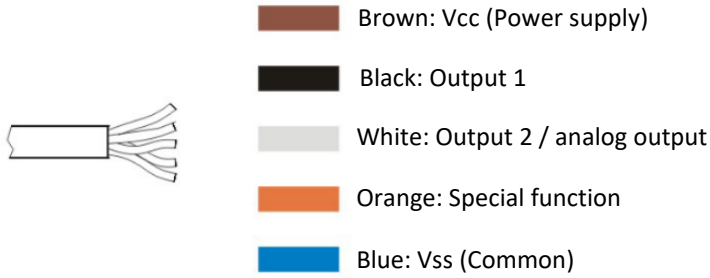


PNP OC circuit:
High level output when the switch is on
High resistance when the switch is off

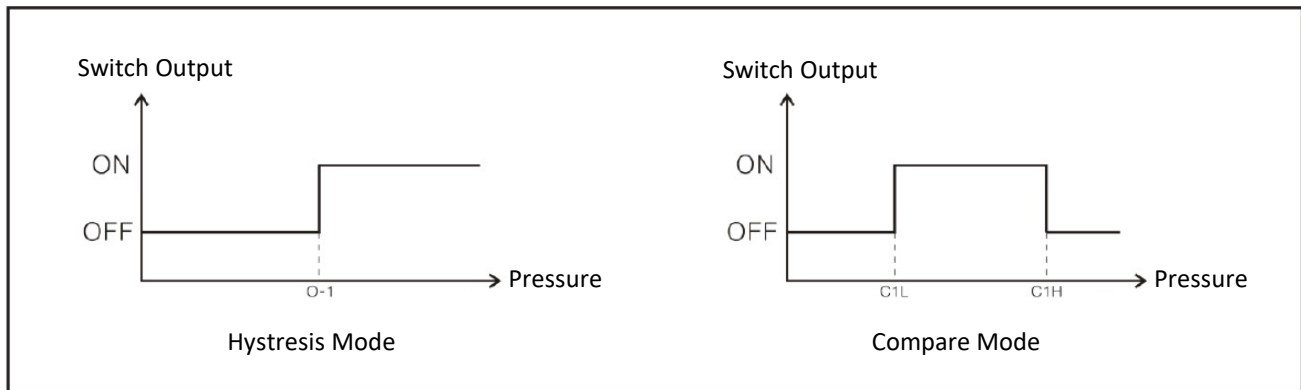
Analog Voltage Output



Analog voltage output:
Full scale proportional output
Reference level 0V

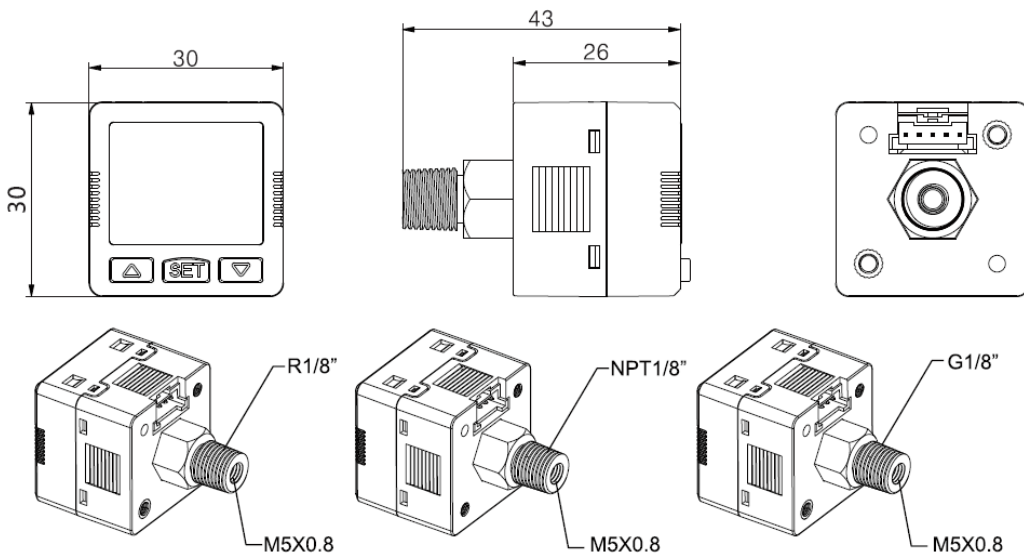


Output Function Diagram



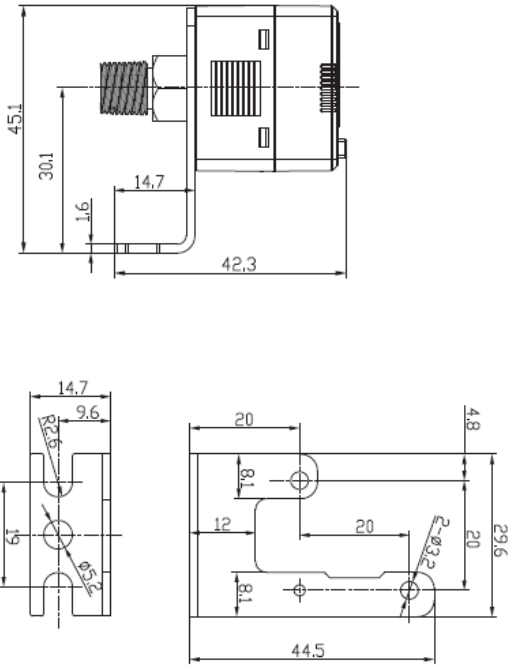
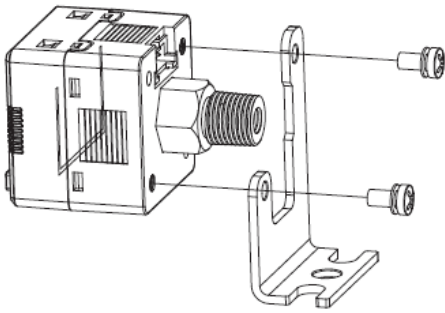
MECHANICAL DIMENSIONS (mm)

Overall Dimensions & Connection Port

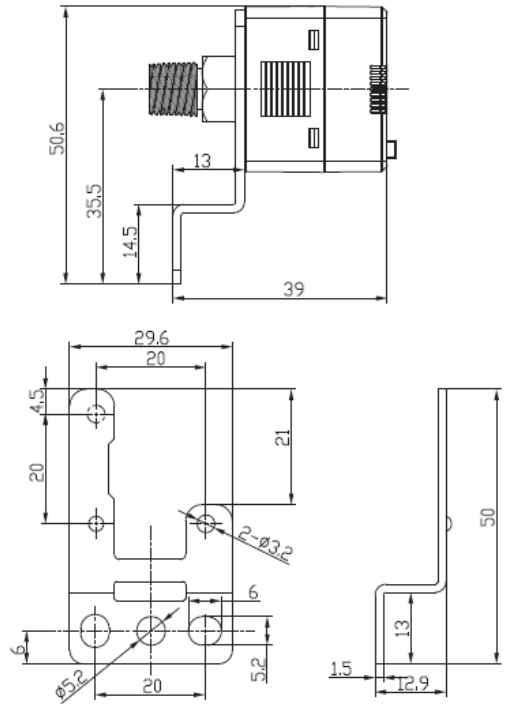
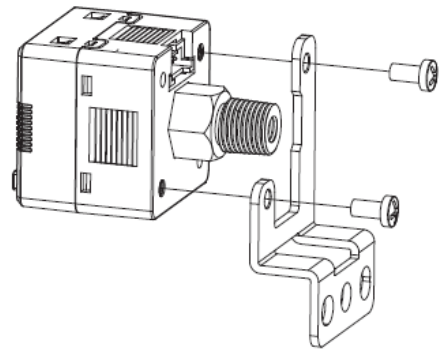


Mounting bracket

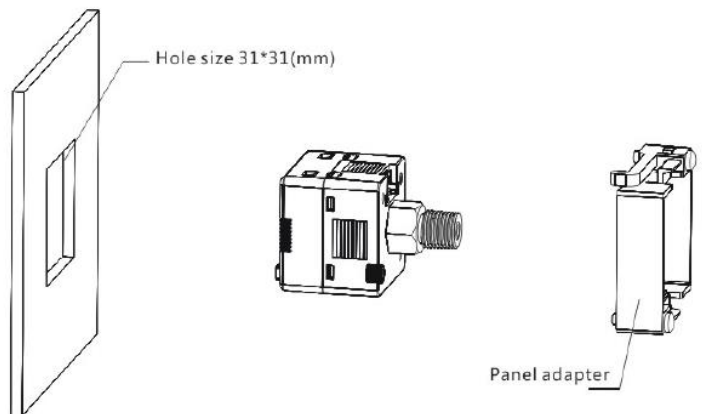
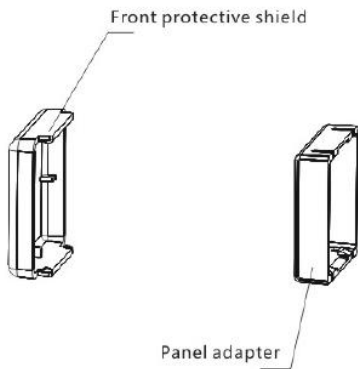
L bracket assembly



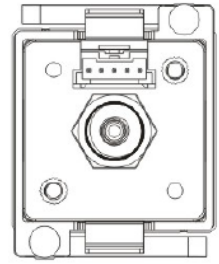
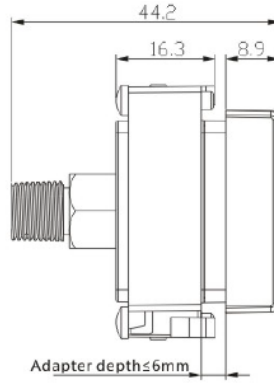
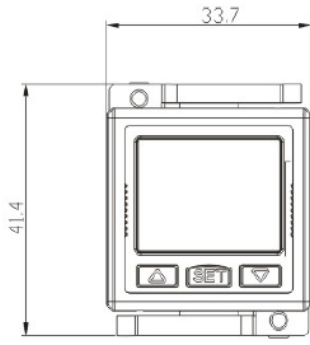
S bracket assembly



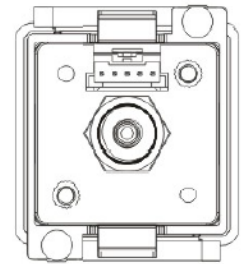
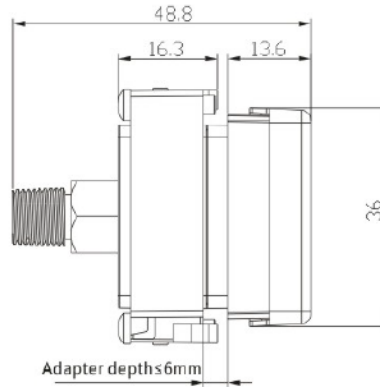
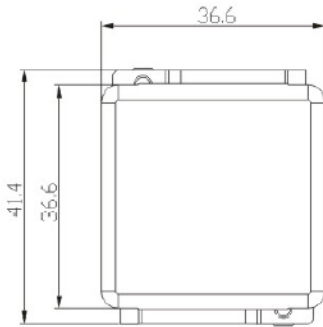
Panel bracket



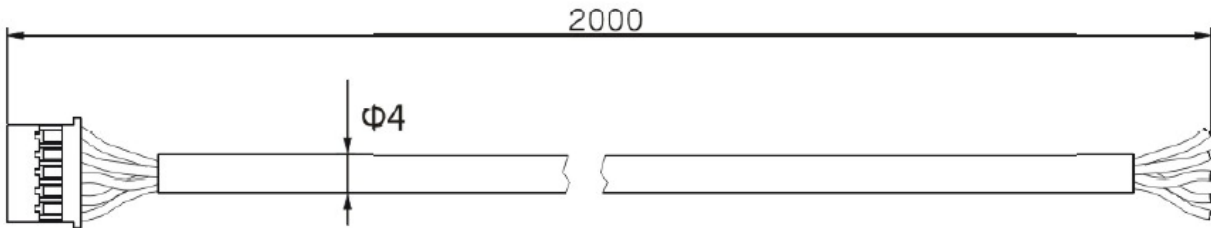
Panel mount



Dust cover installation



Wire dimensions



ORDER CODE

Model
DPS-2:2 series

DPS	-	210
Pressure Range		
10	:	-1~10bar
01	:	-1~1bar

Port

R : R1/8 (M5 thread)
N : NPT1/8 (M5 thread)
G : G1/8 (M5 thread)

Montaj

M : Panel
N : Panel+shield
Z : L bracket
S : S bracket

Output

N : NPNx2
P : PNPx2
A : NPN+Analog 4-20mA
V : NPN+Analog 1-5V
B : PNP+Analog 4-20mA
W : PNP+Analog 1-5V

Atek Elektronik Sensör Teknolojileri Sanayi ve Ticaret A.Ş.



Gebze OSB, 800. Sokak, No:814 Gebze/KOCAELI/TURKEY



Tel: +90 262 673 76 00



Fax: +90 262 673 76 08



www.ateksensor.com



info@ateksensor.com