

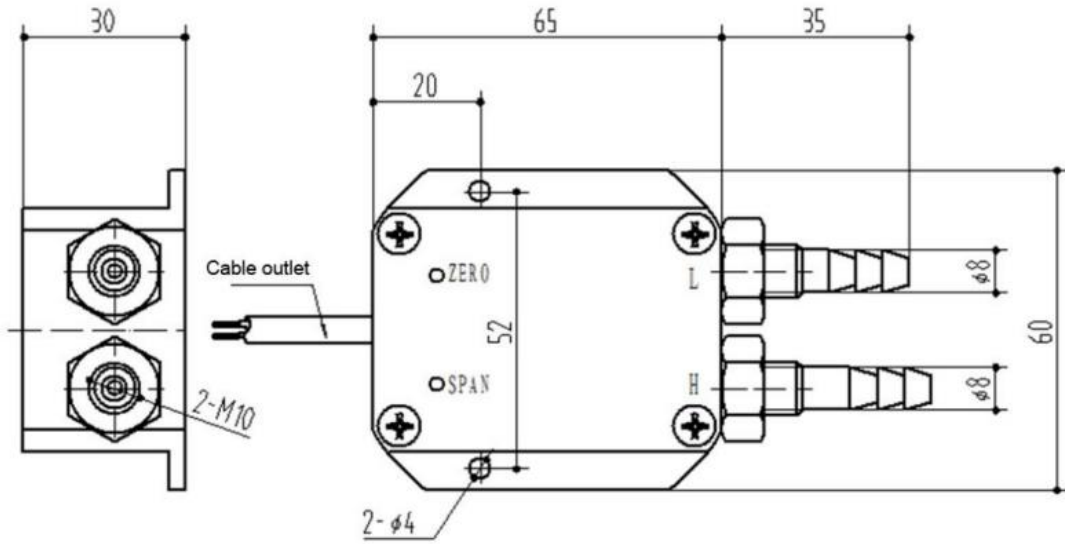


- $\phi 8$  agnail connection, easy to install
- Measuring tiny gas differential pressure value
- Firm and well-sealed aluminium alloy housing
- The zero point and full span of the product can be adjusted externally
- With the short circuit protection and reverse polarity protection
- Full range compensation for zero and sensitivity temperature
- Strong anti-interference capacity, stability performance

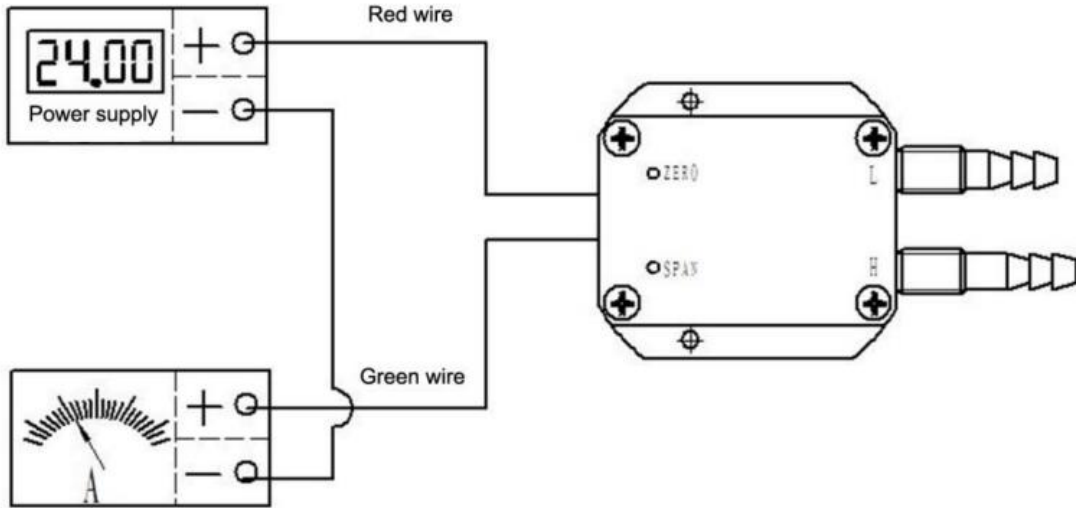
BFT10-110 Differential Pressure Transmitter is assembled by OEM piezoresistive silicon differential pressure sensor, and the housing is the aluminium alloy structure; the pressure connection is M10 thread & agnail structure, and can be directly installed on the measuring piping or connected through the press-leading tube; it is easy to install and use, and widely applies in the air supply for boiler, underground ventilation and other electricity and mining industries, as well as the process control field of automated pressure detection for the super clean workshop.

TECHNICAL FEATURES	
<b>Pressure range</b>	0~0,0025bar...0,001bar...1bar
<b>Pressure reference</b>	Differential pressure
<b>Supply &amp; output</b>	4~20mA (16~36V)
<b>Operating temp.</b>	-10°C ... +60°C
<b>Medium temp.</b>	-10°C ... +60°C
<b>Storage temp.</b>	-40°C ... +125°C
<b>Zero temp. coefficient</b>	$\pm 2.5\%FS$ (@0°C~50°C)
<b>Sensitivity temp. coefficient</b>	$\pm 3\%FS$ (@0°C~50°C)
<b>Overpressure</b>	200%FS
<b>Mechanical vibration</b>	20G (20~5000Hz)
<b>Shock</b>	100g (11ms)
<b>Comprehensive accuracy</b>	0.001bar, 0.0025bar: $\pm 3\%FS$
	0.005bar, 0.01bar, 0.02bar: $\pm 2\%FS$
	0.05bar, 0.07bar, 0.1bar: $\pm 1.5\%FS$
	0,1bar~1bar: $\pm 0.5\%FS$
<b>Insulation</b>	$\geq 200M\Omega/250VDC$
<b>Response time</b>	$\leq 1ms$ (Up to 90%FS)
<b>Long-term stability</b>	$\pm 0.2\%FS/year$
<b>Protection</b>	IP65
<b>Service life</b>	$\geq 10 \times 10^8$ pressure cycles
<b>Material</b>	Stainless steel or aluminium alloy for Housing
<b>Medium compatibility</b>	All kinds of media compatible with the stainless steel or aluminium alloy

## MECHANICAL DIMENSIONS (mm)



## CONNECTION



## ORDER CODE

Model

BFT10-110

1B

Pressure Range

Different options from 0,001 bar to 1 bar

Output Signal

B1 : 4-20mA

B1

Atek Elektronik Sensör Teknolojileri Sanayi ve Ticaret A.Ş.

Gebze OSB, 800. Sokak, No:814 Gebze/KOCAELI/TURKEY

Tel: +90 262 673 76 00

Fax: +90 262 673 76 08

www.ateksensor.com

info@ateksensor.com