



### Applications

- Pneumatic Systems
- Hydraulic Systems
- Machines Equipments
- Air Cooling – Heating Systems
- Water Technologies
- Automation Applications
- Textile sector
- Fabric dyeing machines

ATEK BCT 26 series Pressure transmitters offer high performance for demanding commercial and heavy industry applications.

Our products with piezoresistive working principle can be used in water, air, oil etc. applications.

The standard stainless steel housing with IP65 / IP67 protection can work in harsh environments.

The BCT 26 series, which is not affected by electrical fluctuations and reverse connections due to over voltage and reverse polarity protection, has a long life.

As pressure measurement, all models between 0... 100mbar and 0... 600BAR and all vacuum pressure models between 0... -100mbar and 0... -1BAR can be produced.

- Piezoresistive pressure sensor
- 26 mm body diameter
- Long-term excellent work
- Stainless steel case
- EMC and reverse polarity protection
- Analog 4 ... 20mA / 0 ... 10VDC etc. different outputs
- Different models from 100 mBar to 600 Bar

### BCT 26 TECHNICAL SPECIFICATIONS

<b>Measurement Range</b>	Diffrent models from 0...100mbar to 0...600Bar Different vacuum models from 0... -100mbar to 0...-1Bar
<b>Measurement Type</b>	Ambient pressure measurement as relative Air, Water, Oil, Non-explosive gases
<b>Working Principle</b>	Piezoresistive
<b>Maximum Compressive Strength</b>	300%T.S. ≤700mbar, 200%T.S. < 250Bar 150%T.S. ≥250Bar *Can be 3 or 5 times.
<b>Oring – Sealing</b>	Standard NBR, optional FKM(Viton) or EPDM
<b>Output Signal</b>	4...20mA (2 Wire), 0...20mA (3 Wire) 0...10VDC, 1...6VDC, 0...5VDC, Ratiometric etc.
<b>Mechanical Connection</b>	G1/4F
<b>Supply Voltage</b>	<b>4-20 mA</b> : 8 ... 32 V <sub>DC</sub> <b>0-20 mA</b> : 12 ... 30 V <sub>DC</sub> <b>0-10 V</b> : 12 ... 30 V <sub>DC</sub> <b>Ratiometric</b> : 5 V <sub>DC</sub>
<b>Operating Current</b>	Maximum 30mA
<b>Resolution</b>	12 bit
<b>Accuracy</b>	±%0,3 F.S @25° C
<b>Long Term Stability</b>	±%0,3 T.S/ year
<b>Response Time</b>	1ms %10...%90 nominal pressure
<b>Protection Class</b>	IP65 or IP67
<b>Operating Temperature</b>	-40°C ... +85°C
<b>Ambient Temperature</b>	-40°C ... +85°C
<b>Body</b>	Stainless steel body - 1.4305 (AISI303) Optional stainless 316L
<b>Electrical Connection</b>	Models with connector: DIN43650-A, DIN43650-C, M12 or 3 x 0.14mm <sup>2</sup> PVC cable (Optional PUR cable)
<b>Weight</b>	~125 grams (except connector)
<b>Mounting / Tightening</b>	15 ... 20 Nm

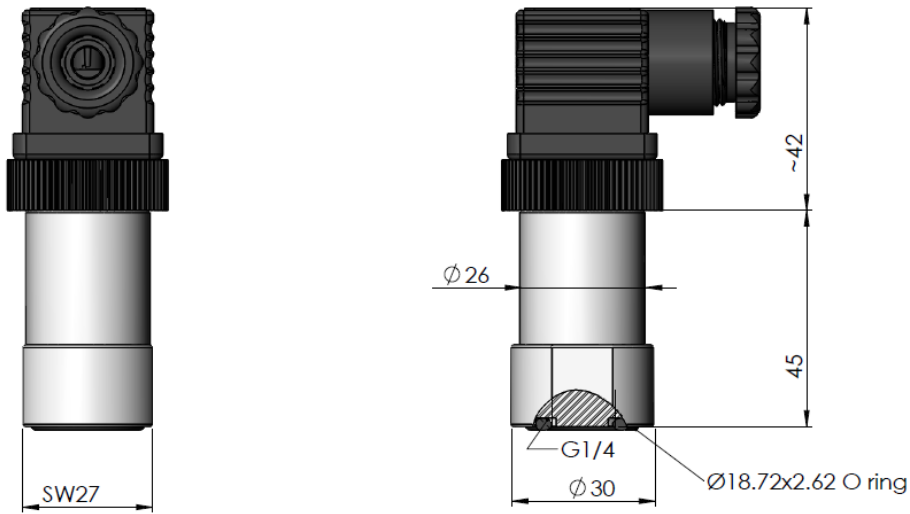
F.S : Full Scale ( working pressure range )

\* Product life will be shortened when more pressure is given than working pressure  
According to the product, it may be damaged at high pressure of 3-5 times.

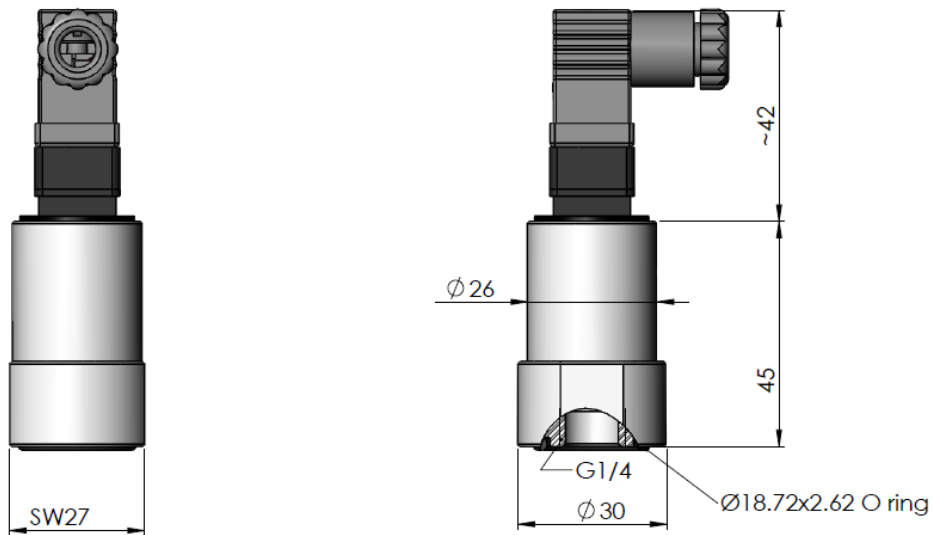
\*\* IP67 protection is provided if M12 socket models are equipped with press-printed sockets.

## MECHANICAL DIMENSIONS

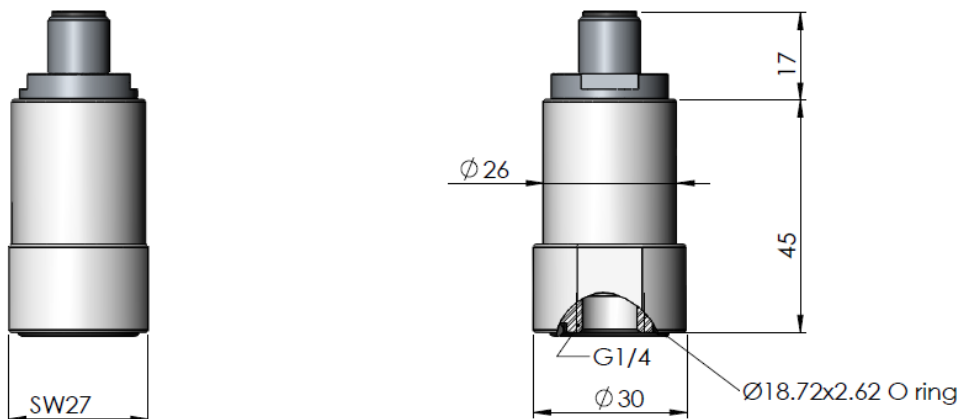
### DIN43650-A Connector (S30)



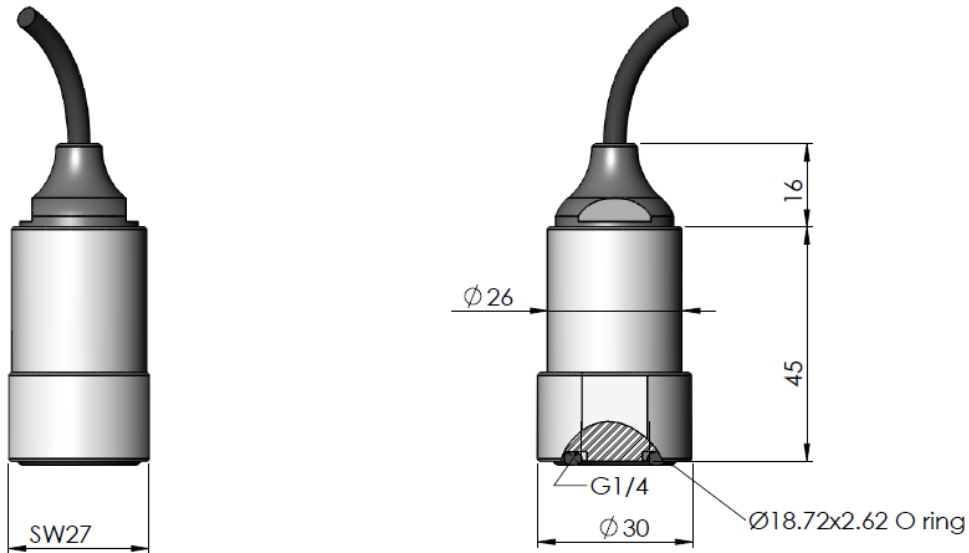
### DIN43650-C Connector (S31)



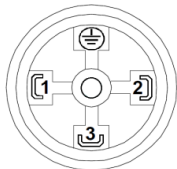
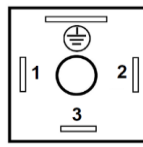
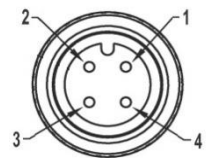
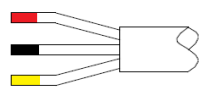
### M12 Connector (S12/S15)



## Cable



## ELECTRICAL CONNECTION

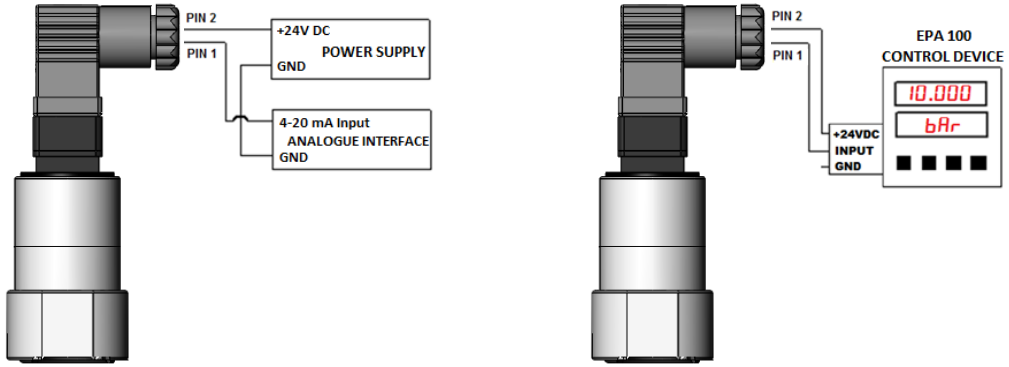
						
		DIN D43650-A	DIN D43650-C	M12	WIRE	
		S30	S31	S12    S15		
		PIN NO	PIN NO	PIN NO	COLOR	
CURRENT OUTPUT	+Vcc	2	2	2	1	RED
	Analogue Output	1	1	1	3	YELLOW
VOLTAGE OUTPUT	+Vcc	2	2	2	1	RED
	GND	1	1	1	3	BLACK
	Analogue Output	3	3	3	2	YELLOW

\* For IP67 protection at model with M12 connector, press-printed cable should be used. Otherwise, it can not be used under IP67 conditions.

\*\* There are PVC (standard) or PUR (optional) cable options in the model with cable.

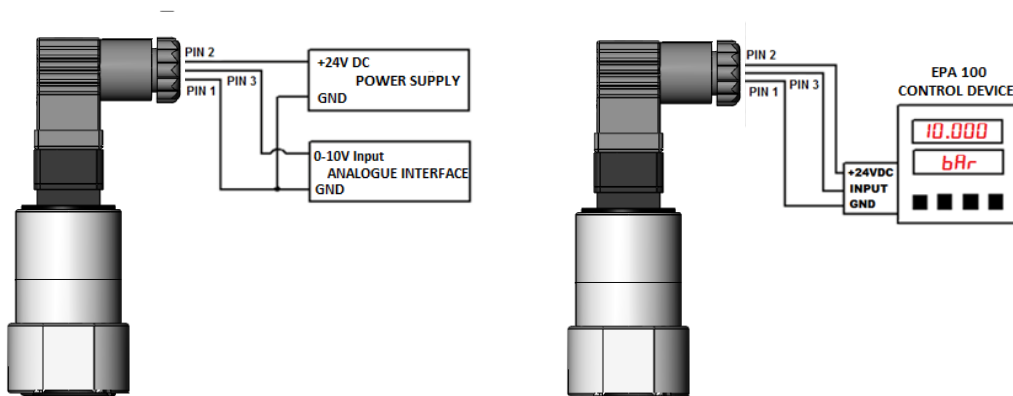
2 Wire 4-20mA Connection Connector Pin No	Signal
1	4...20mA Analogue Output
2	+8...32 VDC (Supply)

**Sample Connection:**



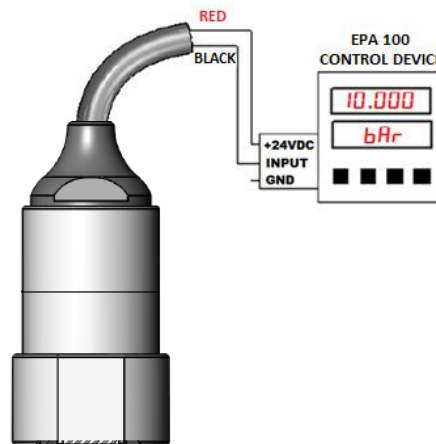
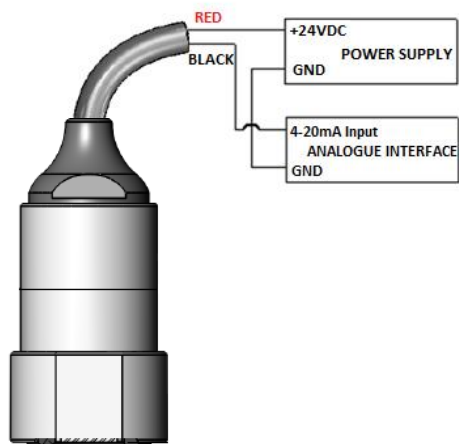
3 Wire 0-10VDC or 0-20 mA Connection Connector Pin No	Signal
1	GND
2	+12...30 VDC (Supply)
3	0...10VDC or 0-20 mA Output

**Sample Connection:**



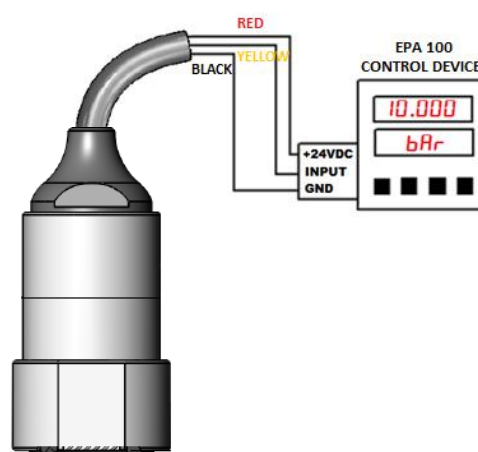
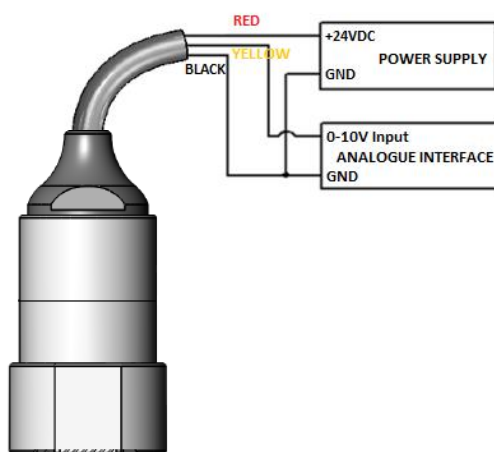
2 Wire 4-20mA Connection Cable Color	Signal
BLACK	4...20mA Analogue Output
RED	+8...32 VDC (Supply)

**Sample Connection:**



3 Wire 0-10VDC or 0-20 mA Connection Cable Color	Signal
BLACK	GND
RED	+12...30 VDC (Supply)
YELLOW	0...10VDC or 0-20 mA Output

**Sample Connection:**



**WARNING**

Wrong connections disrupt the sensor.

## ORDEL DETAILS

### Model

BCT 26

10Bar

A

G1/4F

S31

-

#### Output Signal

Voltage Output Product  
V : 0-10VDC (standard)  
V1 : 0-5VDC  
V2 : 1-6VDC  
V3 : 0,5-4,5VDC  
V4 : 0,5-5,5VDC  
V5 : 1-5VDC  
V6 : 1-10VDC

Ratiometric Products  
V8 : Ratiometric 0.5-4.5VDC  
V9 : Ratiometric 0-5VDC

Current Output Products  
A : 4-20mA (2-wire) (standard)  
A0 : 0-20mA (3-wire)

\* Ask for other options.

#### Electrical Connection

S30 : DIN43650-A type large type connector  
S31 : DIN43650-C type small type connector  
S12 : M12x1 4 pin  
S15 : M12x1 4 pin ( 1 supply, 3 output )  
2M : 2 meters cable

\* Ask for other options.

#### Working Pressure Range

0...-100mBar : Vacuum 0...-100mbar  
-1...0Bar : Vacuum -1...0BAR  
0...-1Bar : Vacuum (Reverse Calibration )

100mBar : 0...100mbar  
250mBar : 0...250mbar  
400mBar : 0...400mbar  
600mBar : 0...600mbar

1Bar : 0...1BAR  
10Bar : 0...10BAR  
16Bar : 0...16BAR  
25Bar : 0...25BAR  
100Bar : 0...100BAR  
160Bar : 0...160BAR  
250Bar : 0...250BAR  
400Bar : 0...400BAR  
600Bar : 0...600BAR

\* Ask for other options.

#### Mechanical Connection

G1/4F : G1/4 female connection

\* Ask for other options.

#### Body Material/ Custom Coding

Empty : Stainless 303  
E316 : Stainless 316L

\* Ask for other options.

#### Sample Code :

BCT 26 100mBar A G1/4F S31

Features: 0...100mbar working range, 4-20mA analogue output (2 wire connection), G1/4F connection, DIN43650-C connector, stainless 303 body

BCT 26 10Bar A G1/4F S30 E316

Features: 0...10BAR working range, 4-20mA analogue output (2 wire connection), G1/4F connection, DIN43650-A connector, stainless 316L body

## BY-PRODUCTS

BSS Series Pressure Transmitter Coolers  
[Max. 250 °C](#)

EPA Series Measurement and Control Devices

[48x48mm modeli EPA 100](#)

[74x74mm modeli EPA 200](#)

[96x48mm modeli EPA 300](#)



Atek Elektronik Sensör Teknolojileri Sanayi ve Ticaret A.Ş.



Gebze OSB, 800. Sokak, No:814 Gebze/KOCAELİ/TURKEY

Tel: +90 262 673 76 00

Fax: +90 262 673 76 08

[www.ateksensor.com](http://www.ateksensor.com)

[info@ateksensor.com](mailto:info@ateksensor.com)