



GENERAL FEATURES

- Spring-return (self-return)
- 60°, 110° or 120° electrical angle (optional others)
- 120° or 150° limited mechanical angle (optional others)
- M6x1 threaded shaft (optional others)
- 30 mm body diameter
- Potentiometric output
- ±%1 linearity
- 2 million cycles lifetime
- IP67 protection

APPLICATION FIELDS

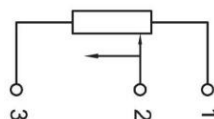
- Textile machinery
- Automatic door control systems
- Automotive
- All kinds of control and measurement applications

TECHNICAL FEATURES

Electrical Angle	60°	110°	120°
Mechanical Angle	120° limited	120° limited	150° limited
Independent Linearity	±%1		
Repeatability	0.1° max.		
Output Type	Resistive		
Supply Voltage	42V max.		
Resistance Values	2K, 5K, 10K		
Resistance Tolerance	±%20		
Resistance Element	Conductive Plastic		
Insulating Resistance	DC500V 1GΩ min.		
Resolution	Infinite		
Recommended Wiper Current	100 μA max.		
Electrical Connection	3x0,5 mm ² NYAF cable (standard 150mm, optional others)		
Rotation Torque	4.9x10 ⁻² ±1.96x10 ⁻² ~ 8.33x10 ⁻² ±1.96x10 ⁻² Nm (0.5±0.2 ~ 0.85±0.2kgf-cm)		
Life	2 million cycles		
Operating Temperature	-40°C ... +100°C		
Storage Temperature	-40°C ... +100°C		
Body Material	Delrin (POM)		
Shaft Material	AISI303		
Protection Class	IP67		

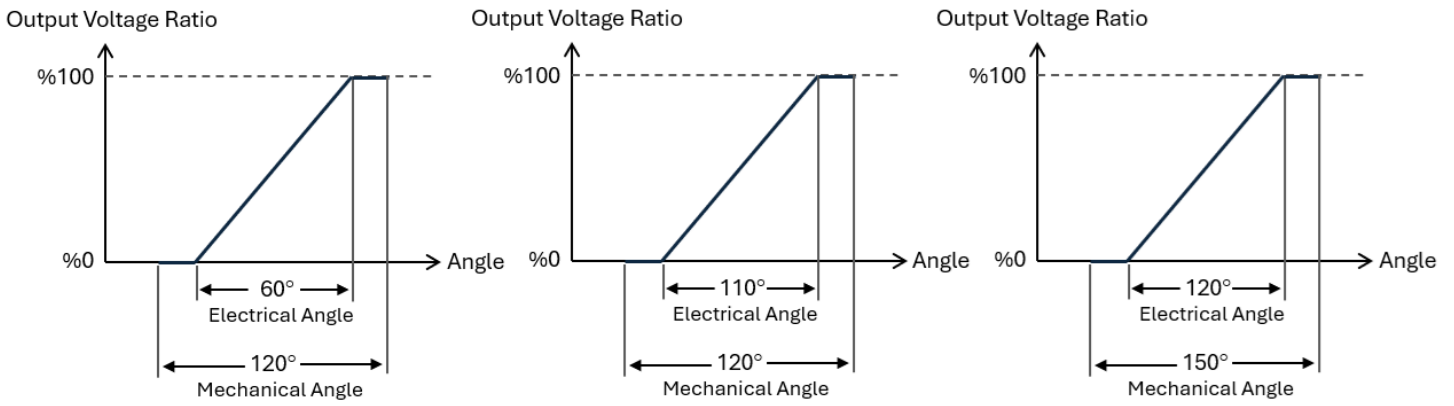
ELECTRICAL CONNECTIONS

SIGNAL	CABLE COLOR
+V	Brown (1)
Output Signal	Yellow (2)
-V	Black (3)

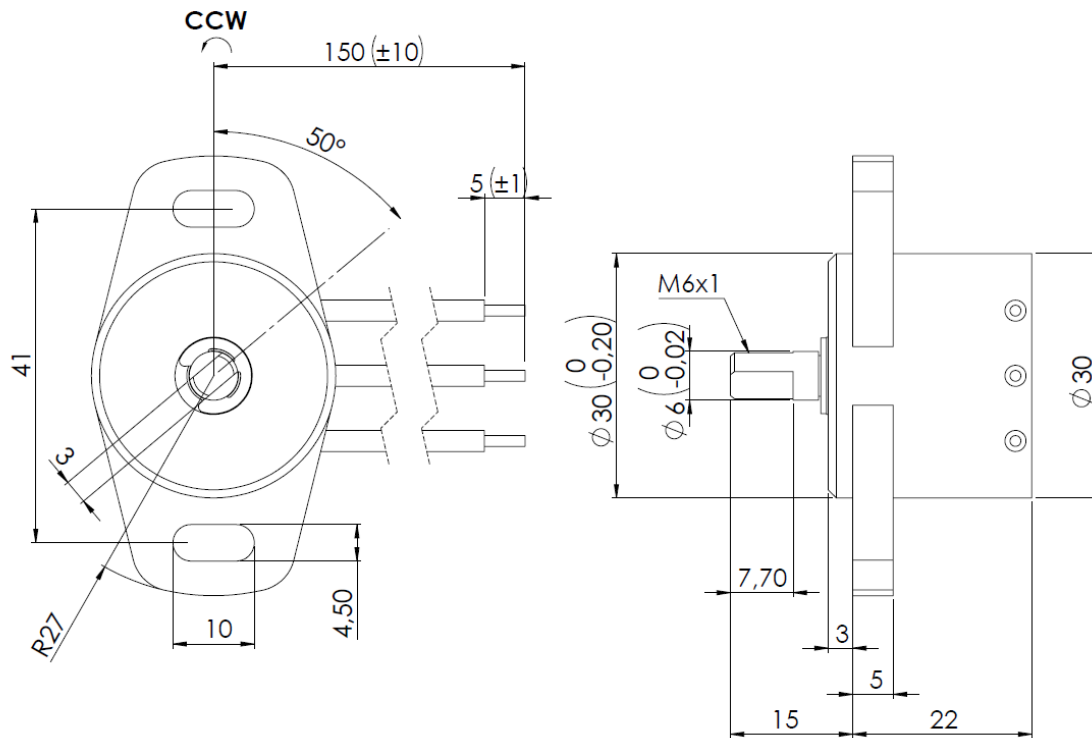


Potentiometer connection
(voltage divider)

OUTPUT CHARACTERISTIC



MECHANICAL DIMENSIONS (in mm)



ORDER CODE

Model		Electrical Angle (*)		Resistance Value		Shaft Diameter	
SRP	- XXX	- XXX	- XXX	- XX	- XXX	- XXX	
	Body Diameter		Mechanical Angle (*)		Cable Length		
	030: 30mm		120 : 120° 150 : 150°		0.15M: 150mm (standard) *Optional others		

(*) Electrical and Mechanical angle should be selected as standard according to the tables below. Ask for other options.

Electrical Angle	60°
Mechanical Angle	120°

Electrical Angle	110°
Mechanical Angle	120°

Electrical Angle	120°
Mechanical Angle	150°