

### SED 100 Series

“Magnetic Detection, High Sensitivity, Stable Operation



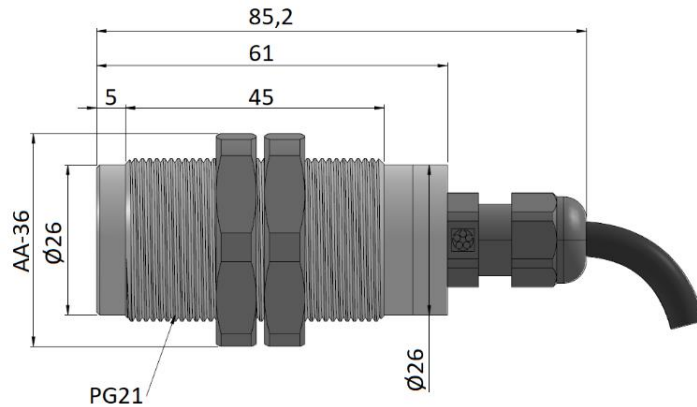
- High sensitivity magnetic sensor
- 2 sensitivity levels:
  - Normal sensitivity : 0 - 25 ± 5 cm
  - High sensitivity : 0 - 35 ± 10 cm
- 6-24VDC supply voltage
- Normally open contact output
- IP67 protection
- Compact design
- Easy installation and use

The SED100 seam detector sensor is part of the fabric edge detection system commonly used in fabric dyeing machines. It offers a convenient solution for edge detection and tour control. With the advanced magnetic detection principle, the detection efficiency is at the highest level.

## TECHNICAL FEATURES

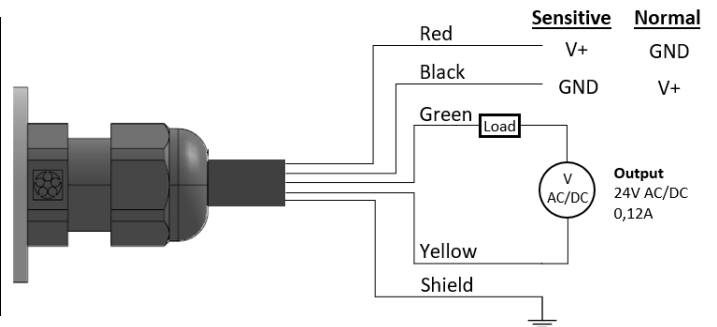
<b>Sensor Type</b>	Magnetic
<b>Sensing Distance</b>	Normal sensitivity : 0 - 25 ± 5 cm
	High sensitivity : 0 - 35 ± 10 cm
<b>Sensing Speed</b>	0.64 - 16.6m/sn (from 10 - 20 cm distance)
<b>Output Pulse Length</b>	2sn
<b>Sensing Magnet</b>	AlNiCo
<b>Signal</b>	Detection : Red LED
	High sensitivity: Blue LED
	Normal sensitivity: Green LED
<b>Supply Voltage</b>	6-24 VDC
<b>Load Current</b>	120mA
<b>Sensor Current Consumption</b>	13mA
<b>Sensor Power Consumption</b>	Min : 0.078W / Max : 0.312W
<b>Output Protection</b>	Short circuit protection
<b>Output Type</b>	Normally Open (NO)
<b>Connection Cable</b>	5x0,14mm <sup>2</sup> PUR cable
<b>Material</b>	PA6 (Polyamide 6)
<b>Operating Temperature</b>	0-95°C
<b>Protection</b>	IP67

## MECHANICAL DIMENSIONS (mm)



## ELECTRICAL CONNECTIONS

SIGNAL		CABLE
High Sensitivity	Normal Sensitivity	
+V	GND	Red
GND	+V	Black
S1 (Load)		Green
S2		Yellow
N/C		Pink
EARTH		SHIELD



## ORDER CODE

### Model

**SED 100**

**XX**

### Electrical Connection

**3M** : 3 meters cable (std)

\*Ask for others.

[www.atksensor.com](http://www.atksensor.com)