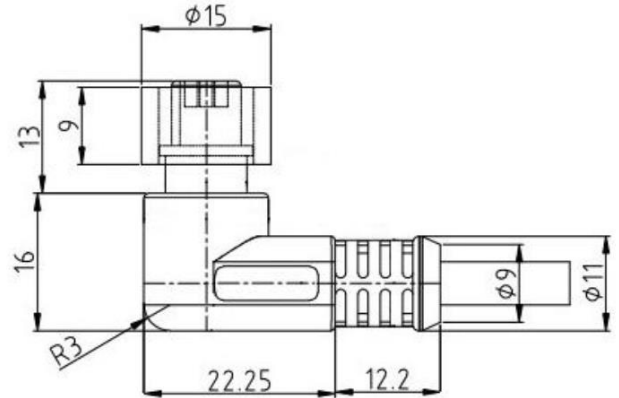


# CONNECTOR WITH CABLE

## M12/5 Pin Female Connector, 90° Angle, PVC or PUR Cable



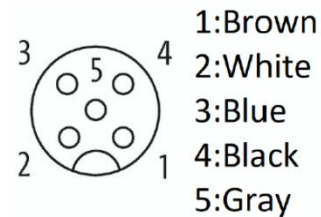
### General Specification

Insulation Resistance	100 MΩ
Temperature Range	-25°C ... +75°C
Protection Class	IP67

### Cable Specification

Cable Length	5M or 10M
Cable Type	PVC or PUR
Cover Colour	Black
Wire Section	0.22mm
Cable Diameter	4.8 ± 0.1 mm
Connection Type A Head	Female Connector, M12, 5-pin, Angled
Connection Type B Head	Open Ended Cable
Certificates	CE, ISO
Signal Type	Sensor/Motion Element Connection
Explanation	Sensor/Motion Element Connection, Unshielded

### Pin Assignment



### Order Code

<b>ATC-M12-5P-F-A-5M-PVC</b>	M12 5 pin female connector, 90° angled, 5 meters PVC cable
<b>ATC-M12-5P-F-A-10M-PVC</b>	M12 5 female connector, 90° angled, 10 meters PVC cable
<b>ATC-M12-5P-F-A-5M-PUR</b>	M12 5 pin female connector, 90° angled, 5 meters PUR cable
<b>ATC-M12-5P-F-A-10M-PUR</b>	M12 5 female connector, 90° angled, 10 meters PUR cable