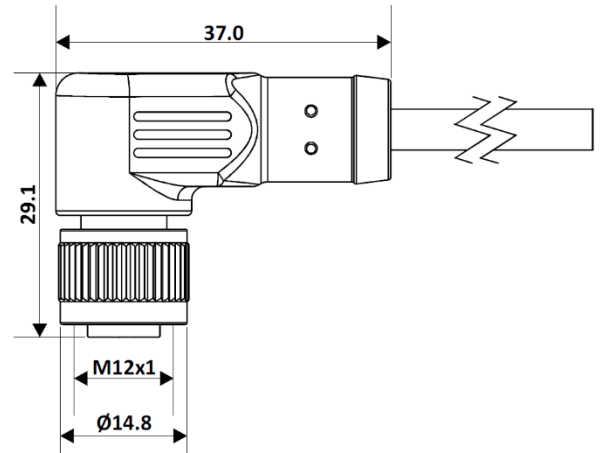


CONNECTOR WITH CABLE

M12/4 Pin Female Connector, 90° Angle, PVC or PUR Cable



General Specification

Rated Operational Voltage	250V
Current Rating	4A
Insulation Resistance	$\geq 100 \text{ M}\Omega$
Temperature Range	-25°C ... +75°C
Protection Class	IP67

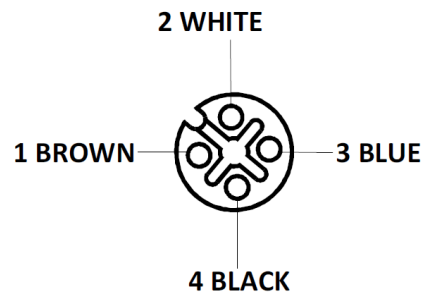
Material Specification

Grip Material	PU
Contact	Cu-Zn
Contact Plating	Gold Flash
Contact Carrier	Nylon 66
O-Ring	Neoprene
Grip Color	Black
Coupling Nut	Brass Nickel-Plated

Cable Specification

Cable Length	5M or 10M
Cable Type	PVC or PUR
Sheath Colour	Black
Cross Section of Wire	0.34 sq. mm
Core Diameter	1.4 mm
Cable Diameter	$4.5 \pm 0.1 \text{ mm}$
Termination	Partially Stripped

Pin Assignment



Order Code

ATC-M12-4P-F-A-5M-PUR	M12 4 pin female connector, 90° angled, 5 meters PUR cable
ATC-M12-4P-F-A-10M-PUR	M12 4 pin female connector, 90° angled, 10 meters PUR cable
ATC-M12-4P-F-A-5M-PVC	M12 4 pin female connector, 90° angled, 5 meters PVC cable
ATC-M12-4P-F-A-10M-PVC	M12 4 pin female connector, 90° angled, 10 meters PVC cable