

BTM 22

" Gas Pressure Sensor "



- Piezoresistive pressure sensor
- G1/8 Mechanical Connection
- High accuracy and stability
- Excellent Long-Term Performance

Designed and manufactured by Atek Sensor's R&D engineers, the fully domestic BTM22 Series Pressure Transmitters provide high performance for air and non-corrosive gas applications.

Featuring piezoresistive sensor technology, our products are designed for industrial applications involving the pressure measurement of air and non-corrosive gases.

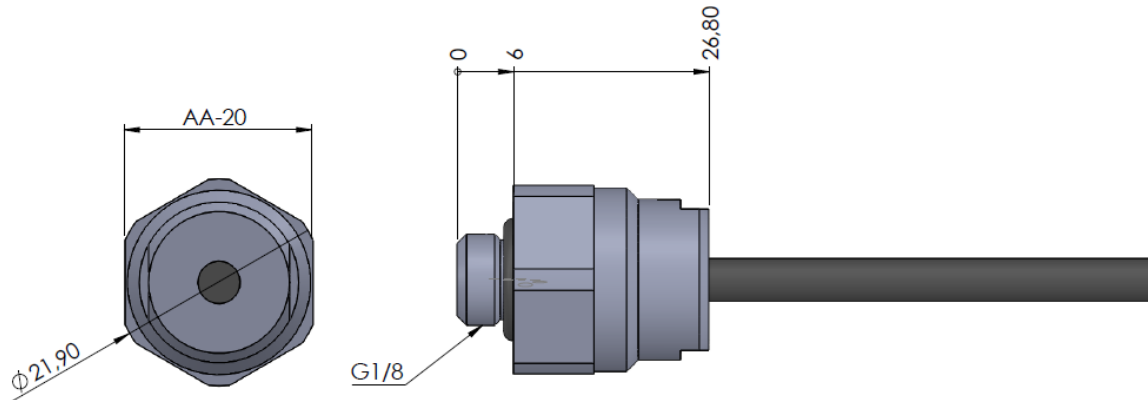
APPLICATIONS

- Medical Equipment
- Automotive Electronics
- HVAC and Ventilation Systems
- Pneumatic Control Systems
- Vacuum and Pressure Monitoring Devices
- Non-Corrosive Gas Measurement Applications

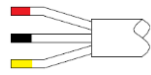
TECHNICAL SPECIFICATIONS

ELECTRICAL SPECIFICATIONS		
Measurement Principle	Piezorezistif	
Measurement Type	Relative Pressure Measurement Air and Non-Corrosive Gases	
Measurement Range	0...10Bar veya 0...-1Bar	
Oring – Sealing	Standard NBR	
Output Signal	Ratiometrik 0.5-4.5VDC	
Supply Voltage	5Vdc	
Linearity	±%2,5 FS @25° C	
MECHANICAL SPECIFICATIONS		
Sensor	Silicone	
Process Connection	G1/8 (optional)	
Electrical Connection	3 x 0.14mm ² PVC cable	
Material	Housing Material	304L (optional)
	Cable Material	PVC
ENVIRONMENTAL SPECIFICATIONS		
Operating Temperature	-30°C ... +100°C	
Compensated Temperature	0°C ... +60°C	
Protection Class	IP65	

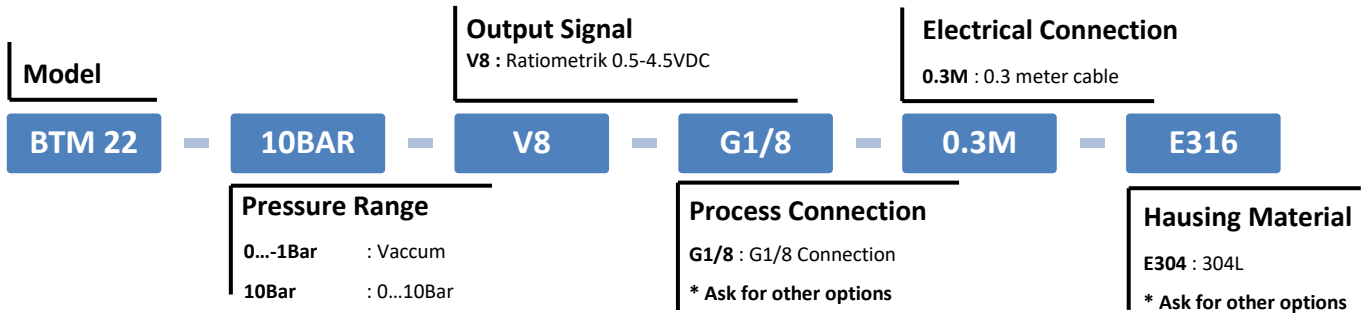
MECHANICAL DIMENSIONS(mm)



ELECTRICAL CONNECTIONS

	
CABLE COLOR	SIGNAL
Red	+5VDC
Black	GND
Yellow	Ratiometrik 0.5-4.5VDC output

ORDER CODE



ORDER CODE: BTM22 - 10B - V8 - G1/8 - 0.3M - E304