

BHT 26

"Flush Pressure Transmitter For Food Industry and Aseptic Applications "



- SS316L isolation diaphragm structure
- 26 mm diameter stainless steel housing
- Suitable for 1,5" tri-clamp (DN40) connection
- Different options from 100 mBar to 25 Bar
- 4...20mA / 0...10VDC etc. Different analog output options
- Suitable for process temperature up to 120°C
- EMC and reverse polarity protection
- High accuracy and stability
- IP65 protection class

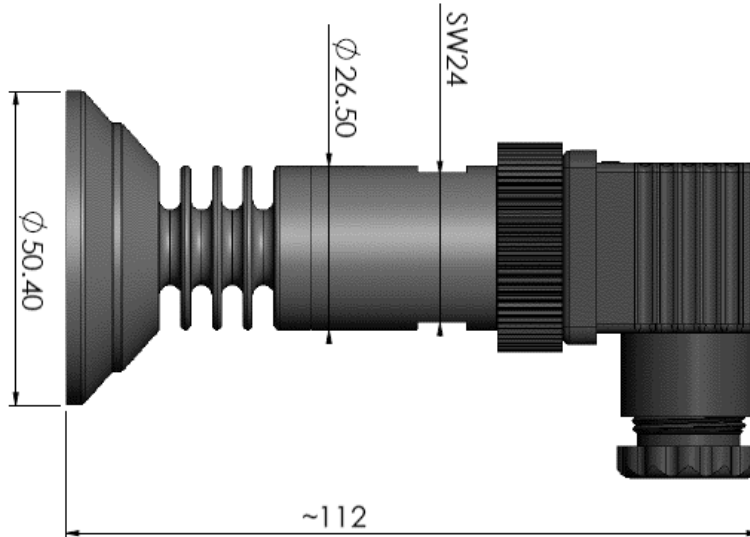
BHT 26 flush pressure transmitter is applicable to food, beverage, pharmaceutical and biological engineering. Full metal flush-mounting isolation diaphragm is directly welded with process connection to ensure the precision connection between process connection and measuring diaphragm. Therefore, no additional sealing gaskets are required, and it ensures there are no measurement dead zones.

The stainless steel 316L diaphragm separates the measuring medium from the pressure sensor, and the process pressure from the diaphragm to the piezoresistive sensor is transferred statically through the filling fluid which has the hygienic license.

APPLICATIONS

- Oil and gas, compressed air, steam, liquid, paste and powder media
- Vacuum pressure detection such as vacuum transfer pump monitoring

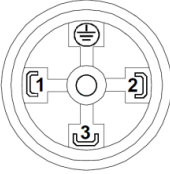
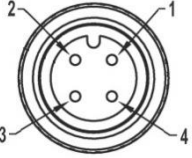
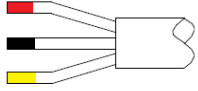
MECHANICAL DIMENSIONS (mm)



TECHNICAL FEATURES

Pressure range	100 mBar ... 25 Bar					
Diaphragm	316L stainless steel					
Output Signal	4...20mA (2 Wire)	0...20mA (3 Wire)	0...10VDC	1...6VDC	0...5VDC	Ratiometric
Supply Voltage	8 ... 32 VDC	12...30 VDC	12...30 VDC	12...30 VDC	12...30 VDC	5 VDC
Accuracy	%0.5FS					
Hysteresis and repeatability	%0.1FS					
Temperature drift	0.1bar: $\pm\%3FS$ ($0^{\circ}C \sim 60^{\circ}C$) Other ranges: $\pm\%1.5FS$ ($-10^{\circ}C \sim 70^{\circ}C$)					
Response time	$\leq 1ms$ (up to 90%FS)					
Overpressure	See. Pressure range selection table (page3)					
Service life	1×10^6 pressure cycles					
Operating temperature	$-40^{\circ}C \dots +120^{\circ}C$					
Storage temperature	$-40^{\circ}C \dots +120^{\circ}C$					
EMC	Immunity: IEC 61000-6-2, Radiation: IEC 61000-6-3					
Insulation resistance	$\geq 200M\Omega/250VDC$					
Surge	IEC 61000-4-5 3 level					
Static	IEC 61000-4-2 4 level					
Electrical connection	DIN43650-A, M12 connector or $3 \times 0.14mm^2$ PVC cable					
Mechanical Connection	1,5" tri-clamp (DN40)					
Housing material	316L stainless steel					
Medium compatibility	All kinds of media compatible with SS316L					
Protection	IP65					

ELECTRICAL CONNECTIONS

					
		DIN D43650-A	M12 / 4 PIN		CABLE
		S30	S12	S15	
		PIN NO	PIN NO		COLOR
CURRENT OUTPUT	+Vcc	2	2	1	RED
	Analog Output	1	1	3	BLACK
VOLTAGE OUTPUT	+Vcc	2	2	1	RED
	GND	1	1	3	BLACK
	Analog Output	3	3	2	YELLOW

PRESSURE RANGE SELECTION

Code	Pressure Range	Overpressure	Burst Pressure
100mBar	0~0,1 Bar	%300FS	%600FS
350mBar	0~0,35 Bar	%300FS	%600FS
1Bar	0~1 Bar	%200FS	%500FS
6Bar	0~6 Bar	%200FS	%500FS
10Bar	0~10 Bar	%200FS	%500FS
25Bar	0~25 Bar	%200FS	%500FS

ORDER CODE

Model

BHT 26

—

XXbar

—

XX

—

XXX

Pressure Range

Different models from 100 mbar to 25 bar

Output Signal

Voltage Output Products

- V : 0-10VDC (standard)
- V1 : 0-5VDC
- V2 : 1-6VDC
- V3 : 0,5-4,5VDC
- V4 : 0,5-5,5VDC
- V5 : 1-5VDC
- V6 : 1-10VDC

Ratiometric Products

- V8 : Ratiometric 0.5-4.5VDC
- V9 : Ratiometric 0-5VDC

Current Output Products

- A : 4-20mA (2-wire) (standard)
- A0 : 0-20mA (3-wire)

* Ask for others

Electrical Connection

- S30 : DIN43650-A type connector
- S12 : M12x1 4 pin
- S15 : M12x1 4 pin (1 supply, 3 output)
- 2M : 2 meters cable

* Ask for others

Sample Order Code: BHT 26 10bar A S30