



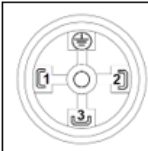
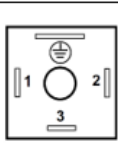
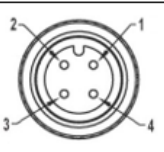
- Piezoresistive silicon pressure sensor produced by MEMS technology
- M20x1.5, G1/2, G1/4, G1/4F, NPT1/4, NPT1/4F, M12X1, R1/4F mechanical connection options
- Long life, excellent stability for many years
- EMC, short circuit and reverse polarity protection
- 4...20mA, 0...20mA, 0-10VDC, 0-5VDC, 1-5VDC or 0,5-4,5 VDC analog output options
- High Sensitivity: 0,5% FS

BFT 210 Differential Pressure Transmitter is produced using an oil-filled OEM piezoresistive silicon differential pressure sensor. It has strong corrosion resistance with its stainless steel body. The two pressure ports are threaded and can be mounted directly on the measuring pipe or connected through the pressure pipe. It also has standard analog voltage and current output options. These sensors are generally used in process control, aerospace, automotive, medical equipment, HVAC etc. used in areas.

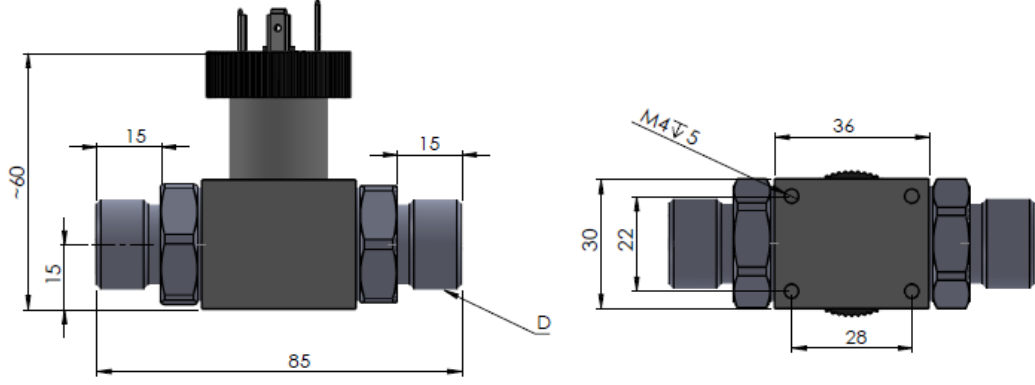
TECHNICAL SPECIFICATIONS

Differential pressure measuring range	Different options from 100 mBar to 25 Bar
Static pressure	100 Bar (max.)
Supply and Output	4...20mA (8...32 VDC) 0...20mA (12 ... 30 VDC) 0-10VDC, 0-5VDC, 1-5VDC (12 ... 30 VDC) 0,5-4,5VDC (5 VDC)
Mechanical connection	M20x1.5, G1/2, G1/4, G1/4F, NPT1/4, NPT1/4F, M12X1, R1/4F
Electrical connection	S12, S15, S30 or S31 (Please ask for other options.)
Accuracy	±%0,5 FS @25°C
Response time	1 ms (up to 90%FS)
Service life	≥ 10x10 ⁶ pressure cycles
Operating temperature	-40°C ... +85°C
Storage temperature	-40°C ... +85°C
EMC-interference	IEC 61000-6-3
EMC-immunity	IEC 61000-6-2
Insulation resistance	200MΩ/250VDC
Shock resistance	100g(11ms)
Material	Stainless Steel 304L
Max. mounting torque	25Nm
Protection class	IP65

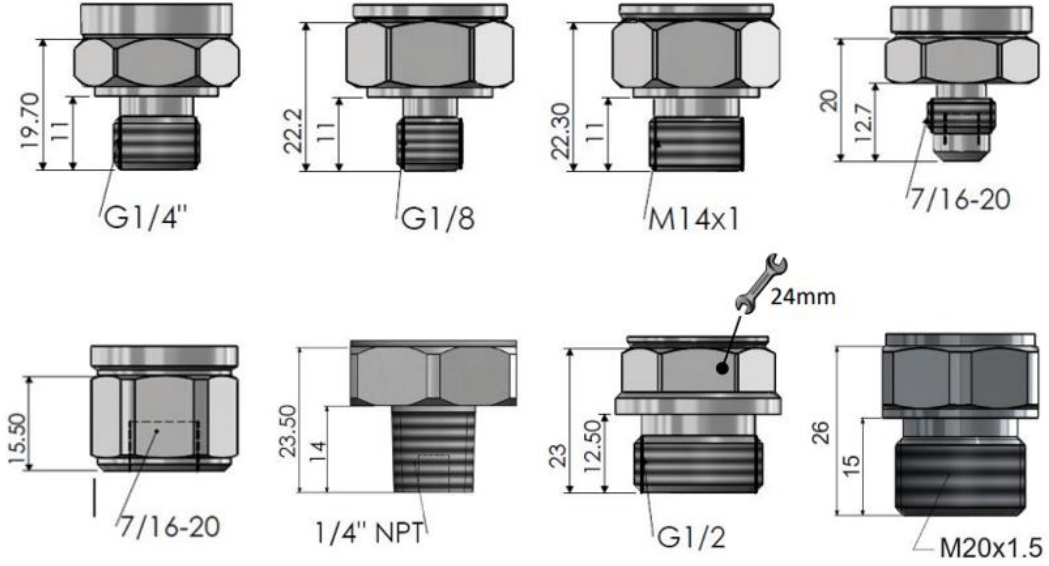
ELECTRICAL CONNECTIONS

					
		DIN D43650-A	DIN D43650-C	M12 / 4 pin	
		S30	S31	S12	S15
		PIN NO	PIN NO	PIN NO	
CURRENT OUTPUT	+V _{CC}	2	2	2	1
	Analog Out	1	1	1	3
VOLTAGE OUTPUT	+V _{CC}	2	2	2	1
	GND	1	1	1	3
	Analog Out	3	3	3	2

MECHANICAL DIMENSIONS (in mm)



PROCESS CONNECTION OPTIONS

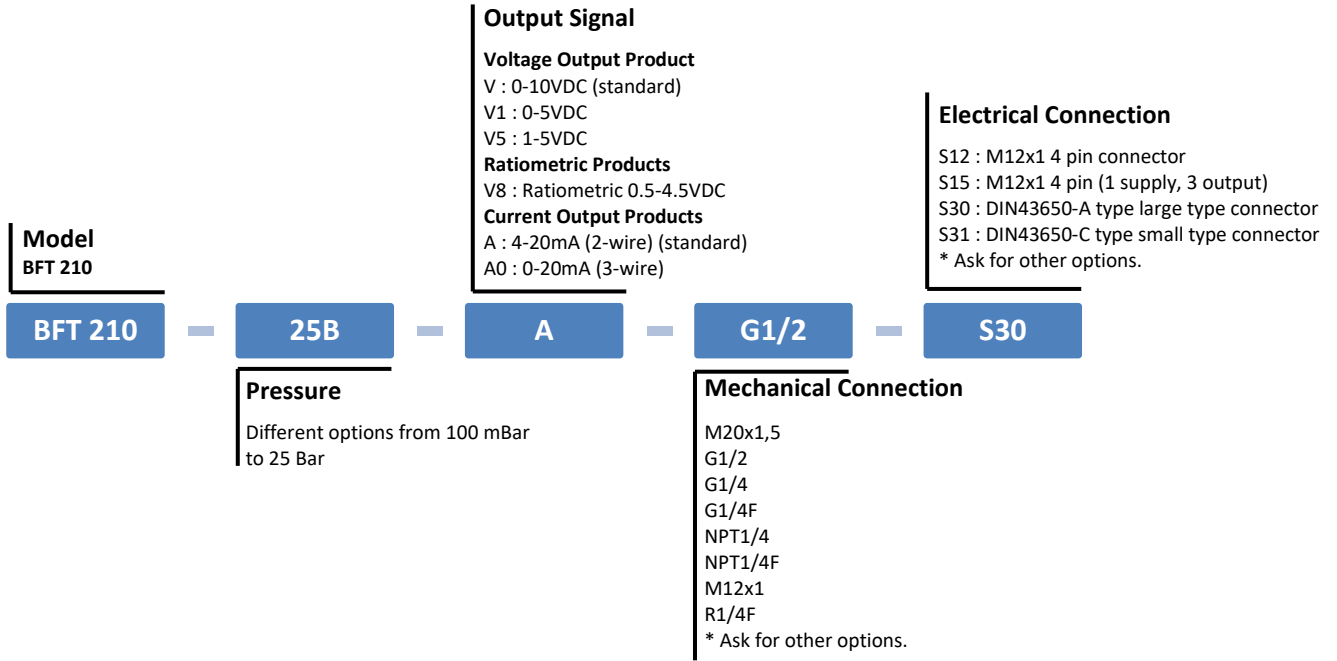


- * G1/2 bağlantılı modelde anahtar yeri ölçüsü 24mm'dir. Diğer tüm modellerde 22mm'dir.
- ** Montaj esnasında soketten tutarak ürünü çevirmeyiniz. Aksi durumda ürün zarar görebilir.

PRESSURE RANGE SELECTION

Pressure Range Code	Pressure Range	Positive Overpressure	Negative Overpressure
0,1B	0 ~ 0,1 bar	300%FS	300%FS
0,2B	0 ~ 0,2 bar	300%FS	300%FS
0,35B	0 ~ 0,35 bar	300%FS	300%FS
0,7B	0 ~ 0,7 bar	300%FS	300%FS
1B	0 ~ 1 bar	300%FS	300%FS
2B	0 ~ 2 bar	300%FS	300%FS
2.5B	0 ~ 2.5 bar	200%FS	200%FS
5B	0 ~ 5 bar	200%FS	200%FS
6B	0 ~ 6 bar	200%FS	200%FS
10B	0 ~ 10 bar	200%FS	150%FS
16B	0 ~ 16 bar	200%FS	150%FS
25B	0 ~ 25 bar	200%FS	150%FS

ORDER CODE



Atek Elektronik Sensör Teknolojileri Sanayi ve Ticaret A.Ş.



Gebze OSB, 800. Sokak, No:814 Gebze/KOCAELİ/TURKEY



Tel: +90 262 673 76 00



Fax: +90 262 673 76 08



www.ateksensor.com



info@ateksensor.com