

AST 70 Series

“-20...+80 °C Measuring Range, 50 mm Immersion Length, Analog or RTD Output, Wall Type”

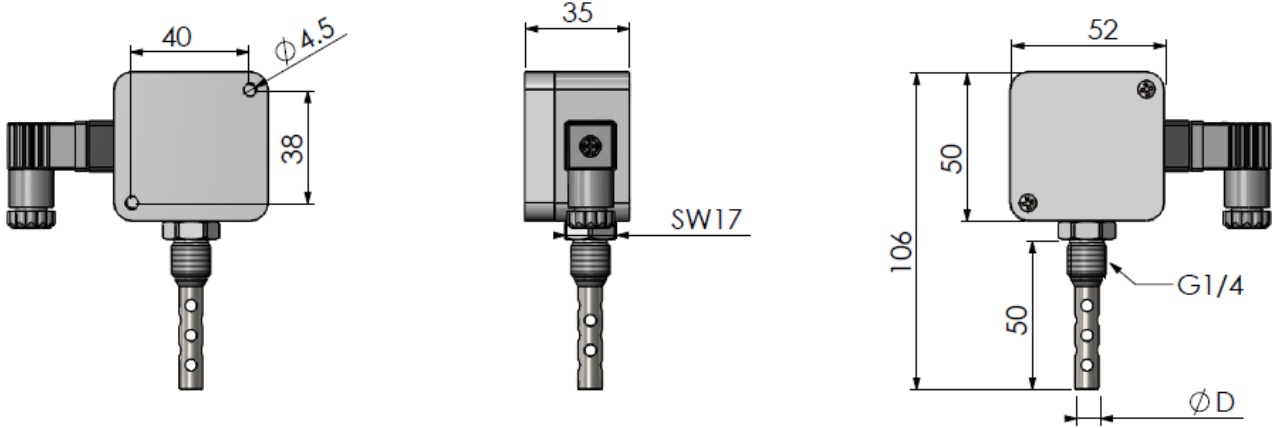


- Measuring range from -20 to +80 °C (Optional others)
- Wall Type
- 50 mm immersion length
- 0-20 mA, 4-20mA, 0-5V, 0-10V, 1-5V, 0.5-4.5V analog output or RTD (PT100, PT1000) output options
- G1/4 process connection
- IP68 protection
- Easy installation and use

The AST 70 series temperature transmitter is designed for precise temperature measurement in the range of -20 to +80 °C.

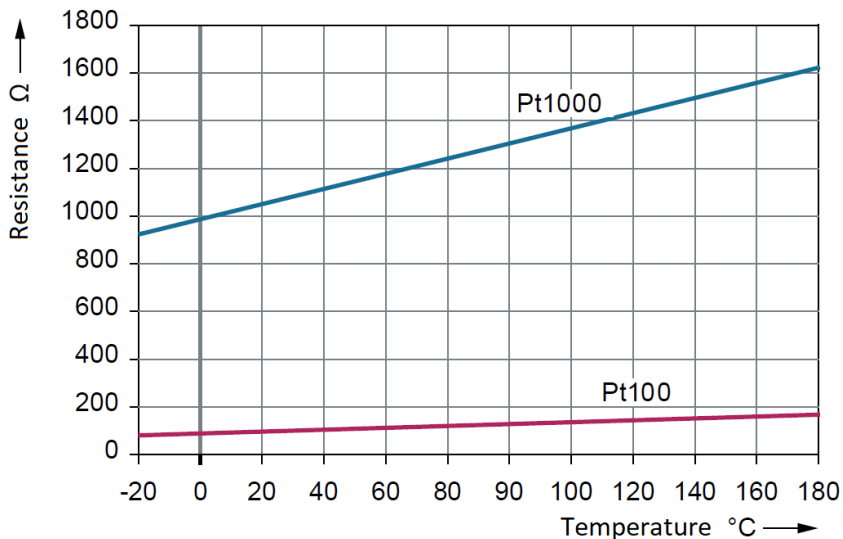
The detection principle is based on the variation of the electrical resistance of the conductor with temperature. The resistance signal receiving from the RTD element is converted into various analog output signals (4-20 mA, 0-10V etc.) and integrated into automation systems.

MECHANICAL DIMENSIONS (mm)



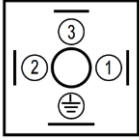

TECHNICAL SPECIFICATIONS

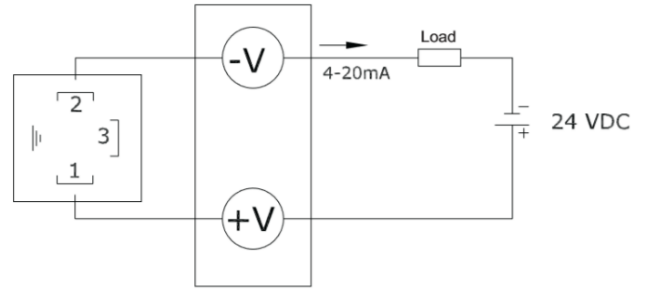
Sensor	PT100, PT1000 (Class B EN60751)
Measuring range	-20 ... +80 °C (Optional others)
Linearity	±%0.1 FS
Response time	2 sn
Output	2 wire 4-20mA std. 3 wire 4-20mA, 0-20mA 0-5V, 1-5V, 0-10V 2 wire RTD, 3 wire RTD, 4 wire RTD
Load	2 wire : 250Ω 3 wire : 1KΩ
Supply voltage	2 wire : 7-32VDC 3 wire : 12-30VDC
Current consumption	2 wire : ≤4 mA @24VDC 3 wire : ≤27 mA @24VDC
Reverse polarity protection	Yes
Overload protection	Yes
Electrical connection	DIN 43650-C (Optional others)
Process Connection	G1/4
Immersion Length	50 mm
Immersion Diameter (D)	8 mm
Material	304 Stainless steel
Operating Temp.	-20 ... +80 °C
Protection Class	IP68



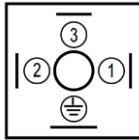

ELECTRICAL CONNECTION

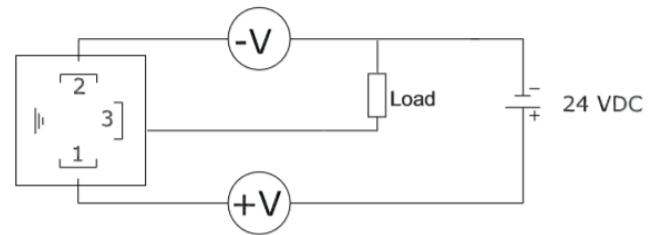
2 Wire 4-20mA Connection

	
DIN43650-C Connector	Signal
1	+7...32 VDC (Supply)
2	4-20mA

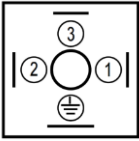
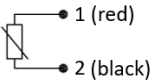
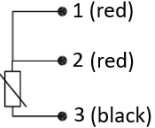
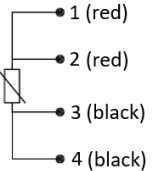


3 Wire 0-5V, 0-10V, 1-5V, 4-20mA, 0-20mA Connection

	
DIN43650-C Connector	Signal
1	+12...30 VDC (Supply)
2	GND
3	0-5V, 0-10V, 1-5V, 0-20mA, 4-20mA



RTD (1xPT100 & 1xPT1000) Connection

Connection Type	
	DIN43650-C Connector
2-Wire	
3-Wire	
4-Wire	

ORDER CODE

1-Model

AST70

2- Temperature Range

Selectable from -20 to +80 °C (Ask for others)

3- Immersion Length

050: 50mm

4- Immersion Pipe Diameter

8: 8 mm

5- Sensor Type

PT100 (available in analog or RTD output model)

PT1000 (available in only RTD output model)

6- Output Signal

V : 0-10VDC

A: 4-20mA (2-wire)

RTD2 : 1xPT100 or 1xPT1000 (2- wire)

V1: 0-5VDC

A0: 0-20mA (3-wire)

RTD3 : 1xPT100 or 1xPT1000 (3- wire)

V3 : 0.5-4.5VDC

A7: 4-20mA (3-wire)

RTD4 : 1xPT100 or 1xPT1000 (4- wire)

V5 : 1-5VDC

7- Process Connection

G1/4 : G1/4

8- Electrical Connection

S143 : DIN43650-C

* Optional others

9- Material

E304 : 304 Stainless Steel

* Optional others

Sample Order Code: AST70 -20...+80 050 8 PT100 V G1/4 S143 E304

BY PRODUCTS



EPA Series Measurement and Control Devices

[48x48mm model EPA 100](#)

[74x74mm model EPA 200](#)

[96x48mm model EPA 300](#)