

## AST 90 Series

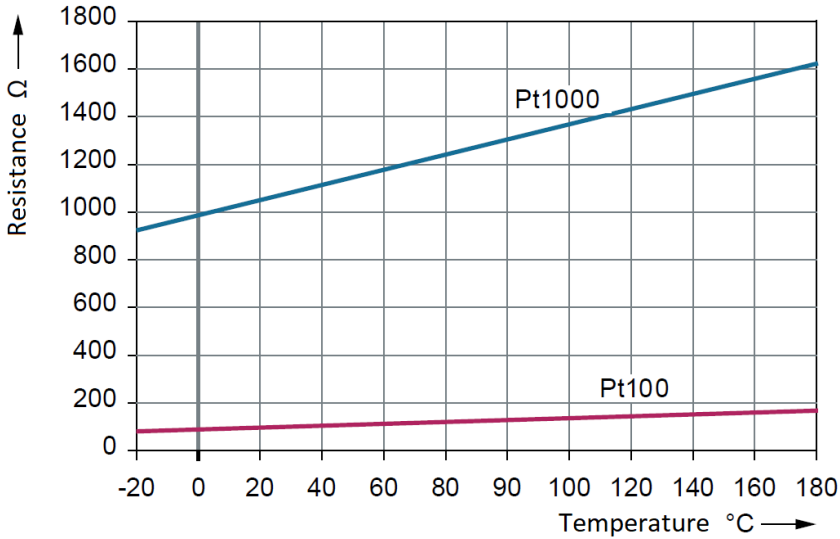
“-50 ... +250 °C Measuring Range,  
PT100 or PT1000”



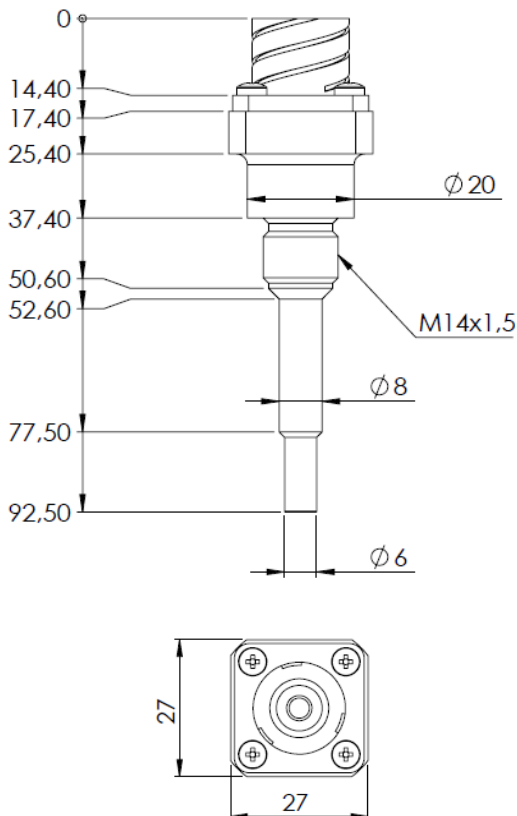
- -50 and +250 °C measuring range
- PT100 or PT1000 sensor
- 2-wire connection
- M14x1.5mm process connection
- VG95234A-10SL-3PN connector
- IP67 protection class

## TECHNICAL SPECIFICATIONS


<b>Measurement Sensor and Specifications</b>	PT1000 (Class B EN60751)	PT100 (Class B EN60751)
	Stock Code: 6685-12-373-7069	Stock Code: 6685-12-178-6777
	Temperature Coefficient: 3850 TCR	
	Self-heating: 0.2 K/mW at 0 °C	
	Tolerance class: F 0.6 (2B)	
<b>Measuring range</b>	-50 ... +250 °C	
<b>Output</b>	2 wire RTD	
<b>Electrical Connection</b>	VG95234A-10SL-3PN connector	
<b>Process connection</b>	M14x1.5 mm	
<b>Material</b>	AISI 304L	
<b>Protection Class</b>	IP67	



### MECHANICAL DIMENSIONS (mm)



### ELECTRICAL CONNECTIONS

<b>CONNECTOR</b>	 VG95234A-10SL-3PN		
<b>CONNECTION</b>	<b>PIN A</b>	<b>PIN B</b>	<b>PIN C</b>
	PT1000 & PT100	PT1000 & PT100	GND