

## AST 80 Series

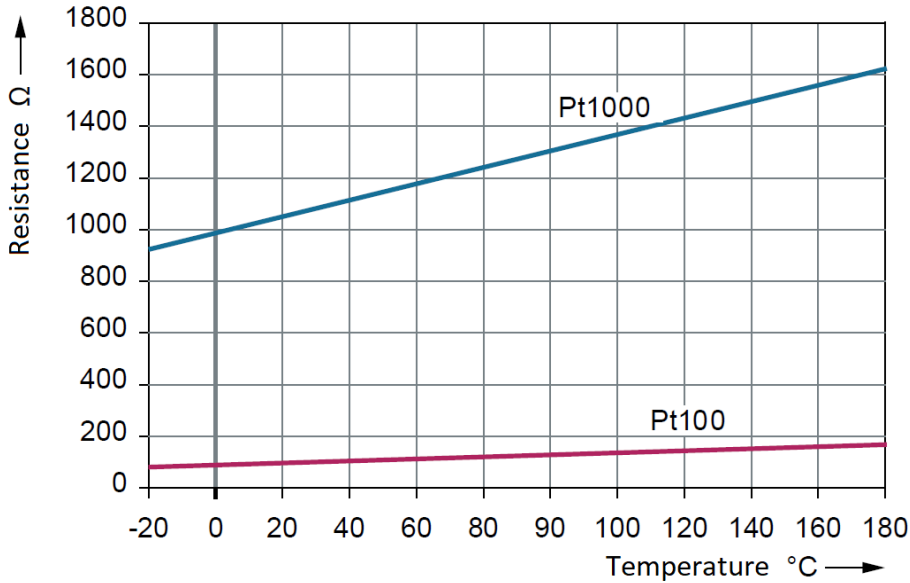
“-50 ... +250 °C Measuring Range,  
PT1000”



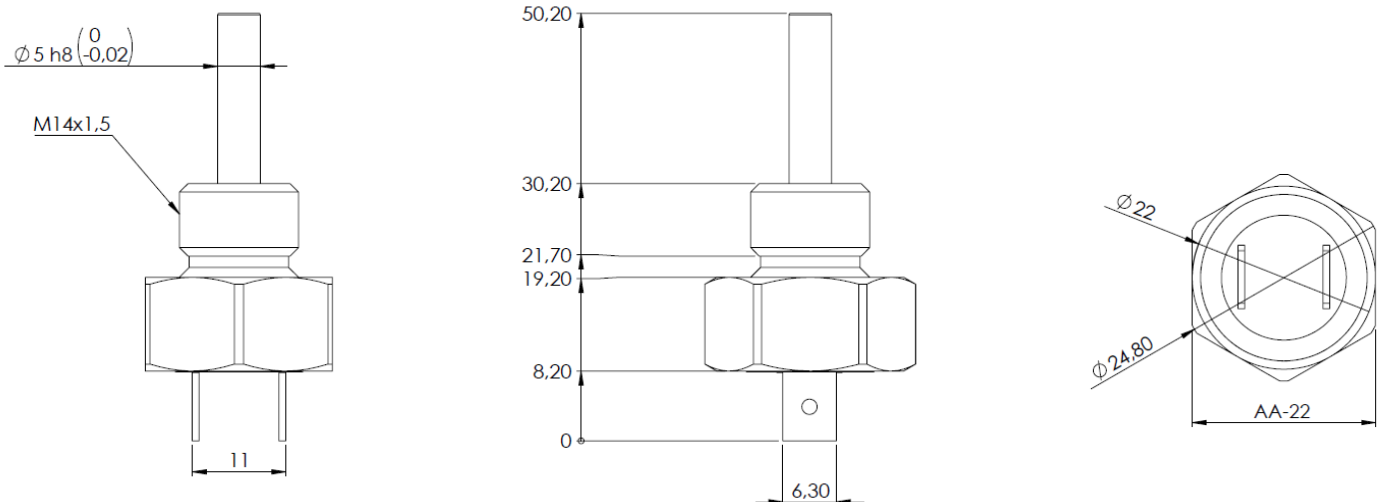
- -50 and +250 °C measuring range
- PT1000 sensor
- 2-wire connection
- M14x1.5mm process connection
- IP67 protection class

## TECHNICAL SPECIFICATIONS

<b>Measurement Sensor and Specifications</b>	PT1000 (Class B EN60751)
	Stock Code: 6685-12-372-2954
	Temperature Coefficient: 3850 TCR Self-heating: 0.2 K/mW at 0 °C Tolerance class: F 0.6 (2B)
<b>Measuring range</b>	-50 ... +250 °C
<b>Output</b>	2 wire RTD
<b>Process connection</b>	M14x1.5 mm
<b>Wrench size</b>	22mm
<b>Connector size</b>	6.3mm
<b>Material</b>	Brass
<b>Protection</b>	IP67



## MECHANICAL DIMENSIONS (mm)



## ELECTRICAL CONNECTIONS

2-Wire Connection	Pin 1	Pin 2
		PT1000