

## ASC 40 Series

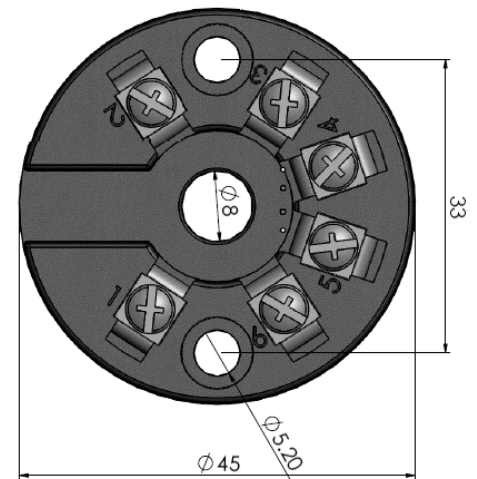


ASC 40 series head-type temperature signal converters are devices that are placed in the slot on the head of resistance thermometer type temperature sensors and convert the temperature information received from these sensors into analog signals such as 4-20mA or 0-10V.

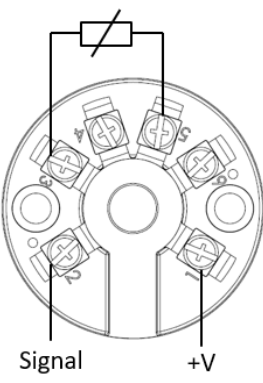
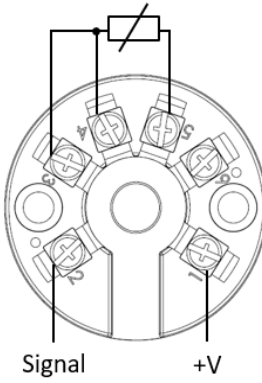
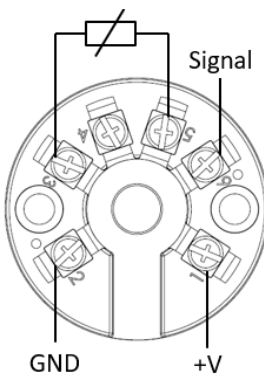
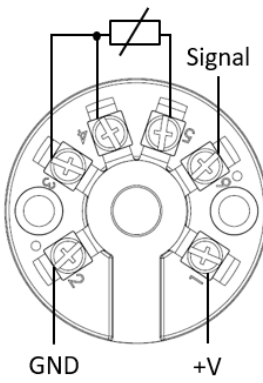
### TECHNICAL FEATURES

<b>Supply voltage</b>	2 wire: 7-32VDC 3 wire: 16-30VDC
<b>Measuring range</b>	-195 ... +650 °C / -319 ... +1202 °F Optional others
<b>Input Types</b>	Resistance thermometer: PT100
<b>Linearity</b>	±%0.1 FS
<b>Response time</b>	2 sn
<b>Output</b>	2 wire 4-20mA std. 3 wire 4-20mA 0-10V
<b>Load</b>	Current output: 250Ω Voltage output: ≥5K
<b>Current consumption</b>	2 wire : ≤20 mA @24VDC 3 wire : <30 mA @24VDC
<b>Reverse polarity</b>	Yes
<b>Short circuit protection</b>	Yes
<b>Overload protection</b>	Yes
<b>Operating temperature</b>	-40°C ... +85°C
<b>Material</b>	PBT
<b>Dimensions</b>	Diameter: 45mm Height: 27mm

### MECHANICAL DIMENSIONS (mm)



## ELECTRICAL CONNECTION

Transmitter Type	2-wire 4-20mA		3-wire 0-5V, 0-10V, 1-5V, 0-20mA, 4-20mA	
RTD Type	2-wire PT100 Connection	3-wire PT100 Connection	2-wire PT100 Connection	3-wire PT100 Connection
Connection				

## ORDER CODE

### 1-Model

ASC 40

### 2- Temperature Range

Selectable from -195 to +650 °C (Ask for others)

### 3- Sensor Type

PT100

### 4- Output Signal

A: 4-20mA (2-wire)  
 A7: 4-20mA (3-wire)  
 V: 0-10V