

## APS 26

" Oil, Fuel and Hydraulics Resistant,  
Vibration Resistant, IP67 Protection "



- Resistant to most oils, fuels, hydraulics, dust and solvents
- Mechanical switch for 10mA - 5A at 12-24V/li>
- Vibration (5G) resistant
- Designed to allow both vertical and angular movement
- Standard NO optional NC switch output
- IP67 protection class

Mechanical switches are used in commercial vehicles, industrial equipment, conveyor systems, etc. It is used to detect last positions and give output for many different situations that may occur in systems.

Mechanical switches operate with very little physical force. When the piston/actuator is pressed, it opens or closes the contacts and causes the device to turn on or off. Mechanical switches are extremely resistant to shock and vibration and are designed to allow both vertical and angular movement. It also works with both 12V and 24V (9...32VDC); Models with normally open contacts or normally closed contacts are available.

These products are extremely durable. It has high sealing, high temperature and vibration resistance according to IP67. Thanks to this robust design, they can be used flexibly.

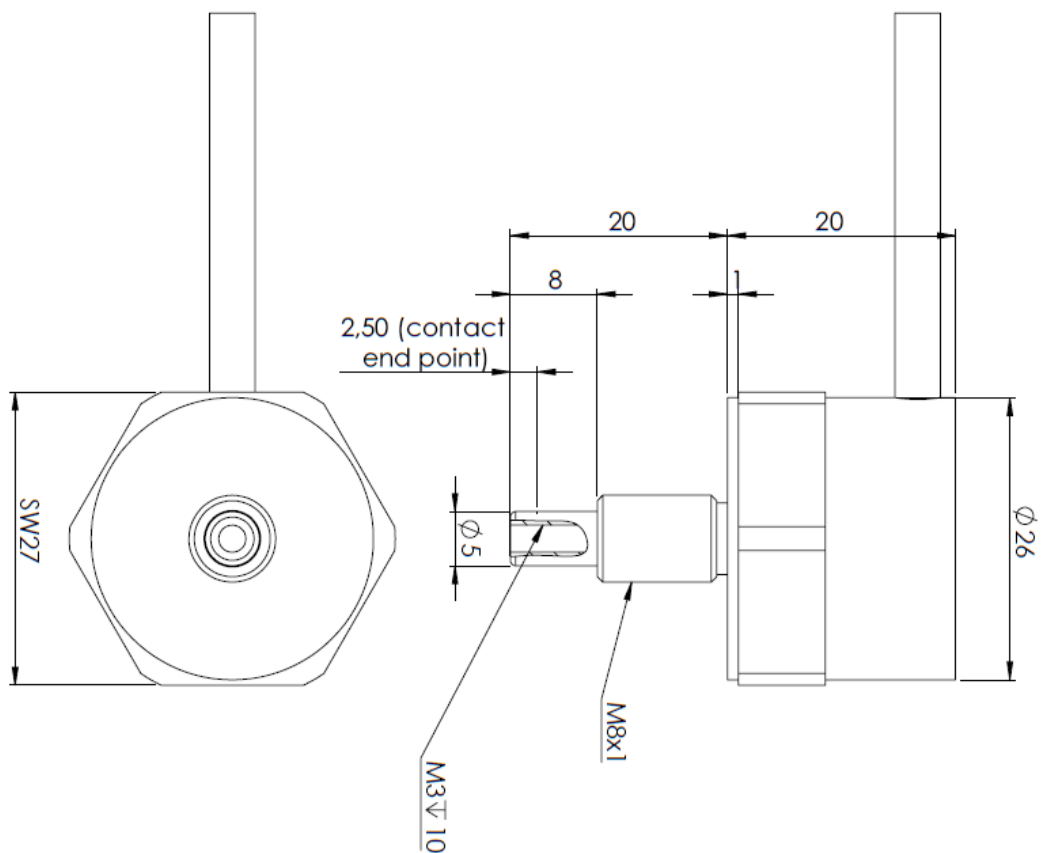
### Applications

- Transmissions
- Drivetrain and conveyor systems
- Private commercial vehicles
- Industrial equipment
- Marine applications


## TECHNICAL FEATURES

<b>Temperature range</b>	-40°C ... +150°C	
<b>Housing Material</b>	AISI304L	
<b>Actuating pin</b>	AISI304L	
<b>Cable Material</b>	POM	
<b>Contact output type</b>	NO (standard), NC (optional)	
<b>Vibration</b>	5g / 100 - 1000Hz	
<b>Actuation</b>	Axial or side	
<b>Axial Force</b>	<b>At switch point</b>	10 - 20N
	<b>In minimum position</b>	25 - 50N
<b>Mechanical Life</b>	1.2 million cycles	
<b>Operating Pressure</b>	1 BAR	
<b>Voltage Range</b>	12V - 24V	
<b>Current Range</b>	10mA - 5A	
<b>Max. Load</b>	135W	
<b>Max. Tightening</b>	50Nm	
<b>Electrical Connection</b>	2 x 0.14mm <sup>2</sup> cable	
<b>Protection</b>	IP67	

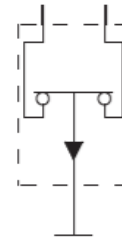
## MECHANICAL DIMENSIONS (mm)



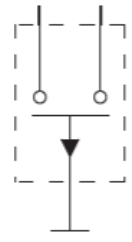
## SWITCHING FUNCTION AND CONNECTION

	
Red	NO (normally open)
Black	C (common)

**NC (Normally Closed)**



**NO (Normally Open)**



## ORDER CODE

<b>Model</b>		<b>Process Connection</b>			<b>Body Material</b>			
		M18x1,5 *Ask for other options			E304 : AISI304L *Ask for other options			
APS 27	-	NO	-	M8x1	-	XXXX	-	XXXX
<b>Output Type</b>				<b>Cable Length</b>				
NO : Normally open (standard) NC : Normally closed (optional)				1M : 1 meters cable *Ask for other options				