

APS 27

"Oil, Fuel and Hydraulics Resistant,
Vibration Resistant, IP69K Protection"



- Resistant to most oils, fuels, hydraulics, dust and solvents
- Mechanical switch for 10mA - 5A at 12-24V/li>
- Vibration (5G) resistant
- Designed to allow both vertical and angular movement
- Standard NC optional NO switch output
- Industry standard AMP superseal connector
- IP69K protection class

Mechanical switches are used in commercial vehicles, industrial equipment, conveyor systems, etc. It is used to detect last positions and give output for many different situations that may occur in systems.

Mechanical switches operate with very little physical force. When the piston/actuator is pressed, it opens or closes the contacts and causes the device to turn on or off. Mechanical switches are extremely resistant to shock and vibration and are designed to allow both vertical and angular movement. It also works with both 12V and 24V (9...32VDC); Models with normally open contacts or normally closed contacts are available.

These products are extremely durable. It has high sealing, high temperature and vibration resistance according to IP69K. Thanks to this robust design, they can be used flexibly.

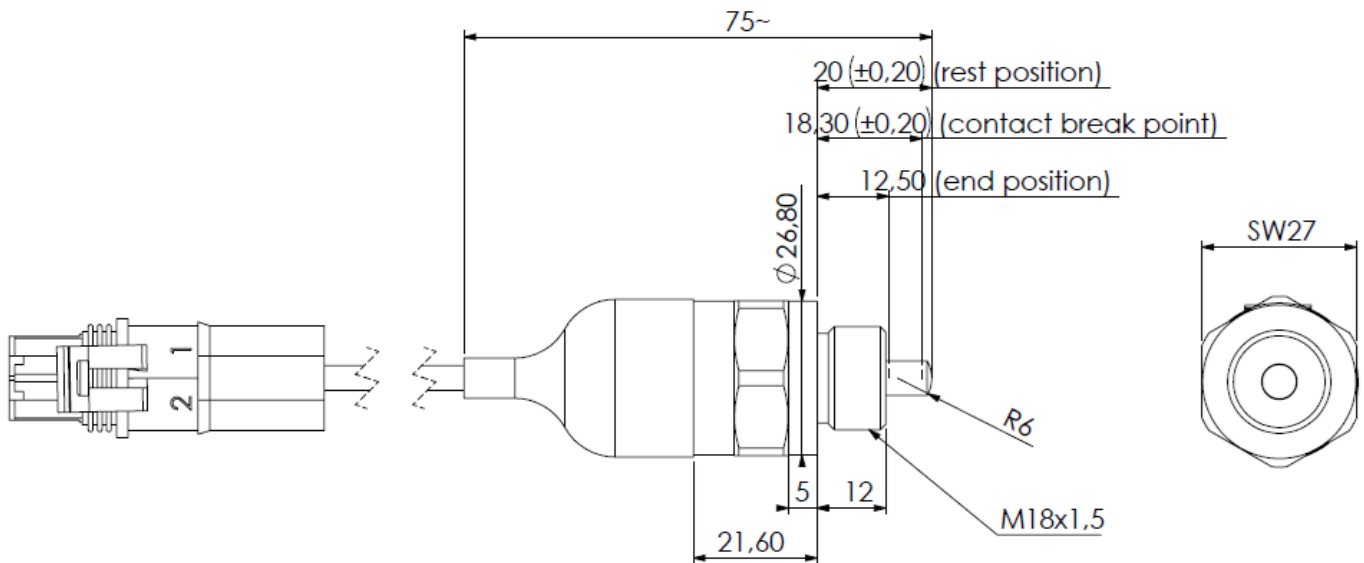
Applications

- Transmissions
- Drivetrain and conveyor systems
- Private commercial vehicles
- Industrial equipment
- Marine applications

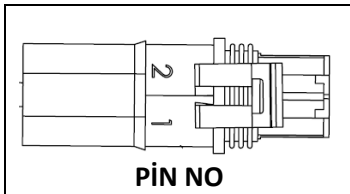
TECHNICAL FEATURES

Temperature range	-40°C ... +150°C	
Housing Material	11SMn30Pb (Plating:Zn-Ni)	
Actuating pin	AISI304L	
Cable Material	POM	
Contact output type	NC (standard), NO (optional)	
Vibration	5g / 100 - 1000Hz	
Actuation	Axial or side	
Axial Force	At switch point	10 - 20N
	In minimum position	25 - 50N
Mechanical Life	1.2 million cycles	
Operating Pressure	1 BAR	
Voltage Range	12V - 24V	
Current Range	10mA - 5A	
Max. Load	135W	
Max. Tightening	50Nm	
Electrical Connection	AMP 282080-1 superseal connector	
Protection	IP69K	

MECHANICAL DIMENSIONS (mm)

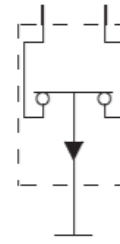


SWITCHING FUNCTION AND CONNECTION

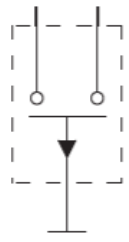


1	NC (normally closed)
2	C (common)

NC (Normally Closed)



NO (Normally Open)



ORDER CODE

Model		Process Connection		Connector Type	
APS 27	-	M18x1,5 * Ask for other options		S147 : AMP 282080-1 superseal conn. * Ask for other options	
XX	-	XXXX	-	XXX	XXXX - XXXX
Output Type			Cable Length		Body Material
NC : Normally closed (standard) NO : Normally open (optional)			0.3M : 30cm * Ask for other options		E310 : 1SMn30Pb (Plating:ZN-Ni)