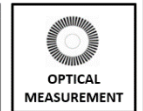
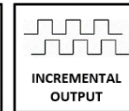




GENERAL SPECIFICATIONS

- Incremental measurement with optical principle
- Resolution up to 20.000 pulse
- 58 mm body diameter
- 10 mm, 12 mm or 14 mm hollow shaft options
- Operating speed up to 6000 RPM
- 300 KHz response frequency
- High accuracy
- Robust structure, long operating life
- IP54 protection class



ARC H 58 series rotary encoders measure with optical principle and operate incrementally. It offers resolution up to 20.000 pulses per revolution.

Optionally different hollow diameters, flange types or cable lengths can be requested.

APPLICATIONS

- Wind Applications / Power Plants
- Marine or Utility Vehicle Applications
- Press or Wood and Stone Processing Machinery
- Construction Machinery
- Cranes
- Offshore Applications
- Commercial Solar Plants
- Filling Plants
- Food & Beverage Applications
- Oil & Gas - Pipe Handling and Cranes

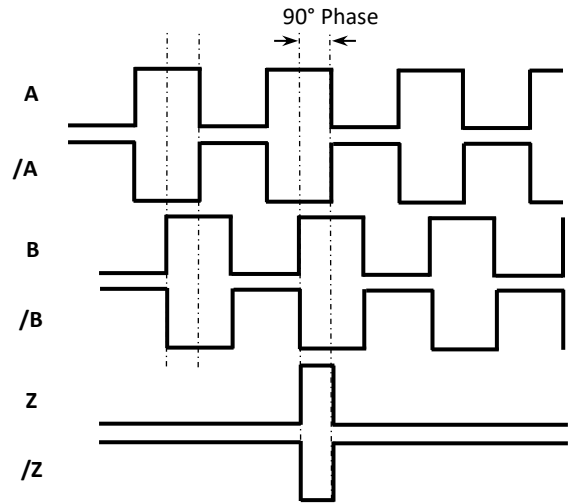


TECHNICAL SPECIFICATIONS

Resolution	Resolution options up to 20.000 pulse						
Operating Speed	6000 RPM max.						
Measuring Type	Optical						
Response Frequency	300 KHz						
Current Consumption	50 mA nominal						
Electrical Interface		PP	TTL	HTL	HPL	OCL	OCP
	Supply	10...30 VDC	5 VDC	10...30 VDC	5...30 VDC	The supply signal should not be lower than the output signal	
	Output	10...30 VDC PP	5 VDC TTL	5 VDC TTL	5...30 VDC PP	NPN Open Collector	PNP Open Collector
Output Signals	A, /A, B, /B, Z, /Z						
Output Current	100 mA max. (per channel)						
Electrical Connection	5 or 8x0,14 mm ² shielded cable						
Body Diameter	58 mm						
Hollow Diameter	10 mm, 12 mm or 14 mm						
Operating Temperature	-25...+85 °C						
Storage Temperature	-40...+100 °C						
IP Protection Class	IP54						
Material	Body: Aluminum						
	Shaft: Stainless Steel						

ELECTRICAL CONNECTIONS

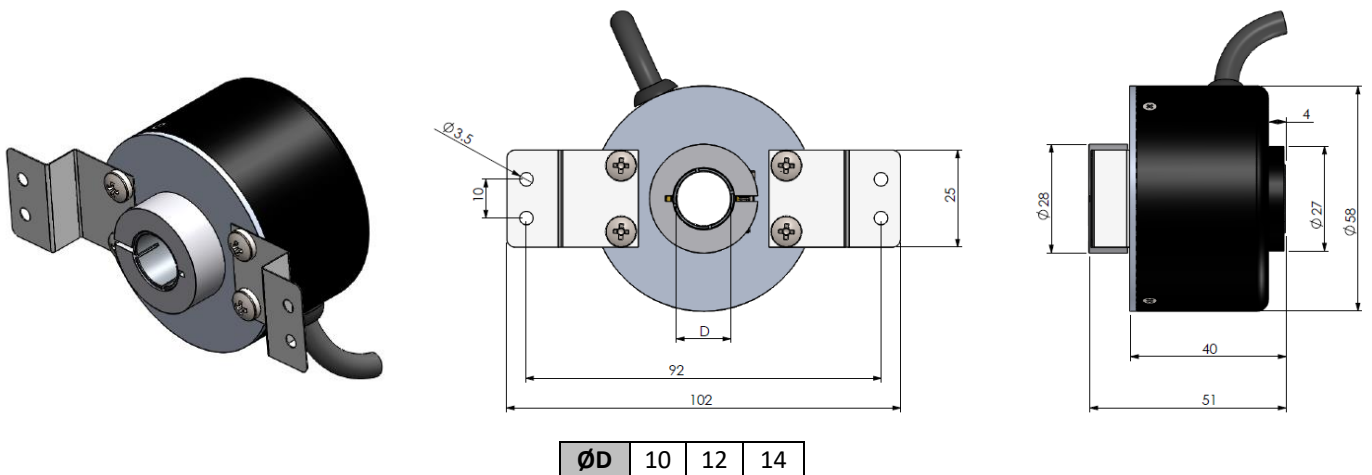
SIGNAL	CABLE COLOR
A	YELLOW
/B	WHITE
+V	RED
0 V	BLACK
/A	BLUE
B	GREEN
/Z	GREY
Z	PINK



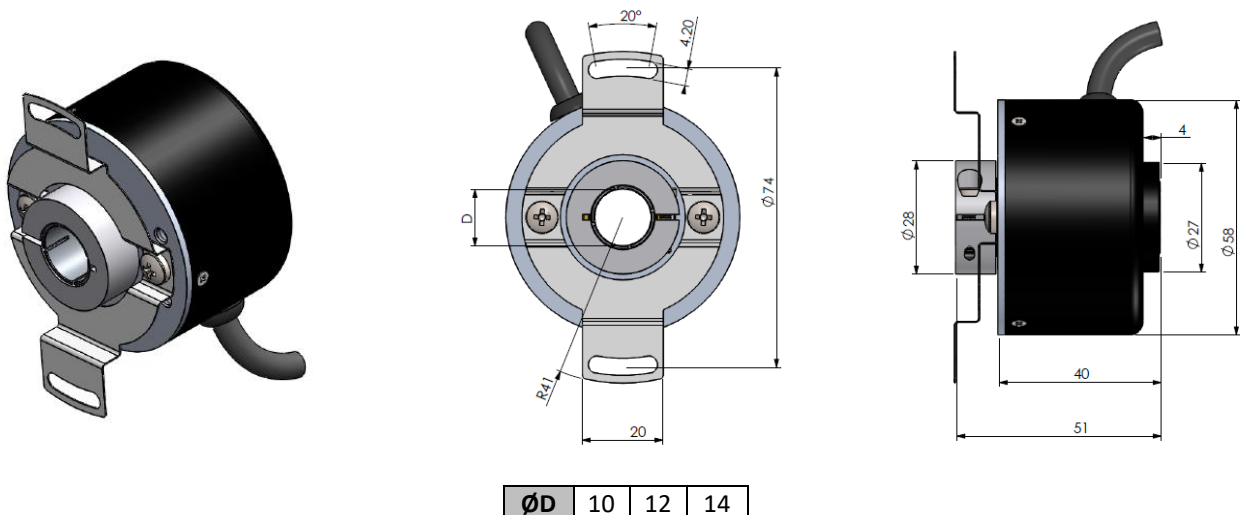
The table above shows the cable colors of the sensor output signals. If the control circuit is suitable in the Line Driver sensors of the not output signals (/A, /B, /Z) have to be added to the system. If it is not suitable /A, /B, /Z signal cables must be fixed as insulated separately. Don't forget that these edges have electricity too.

MECHANICAL DIMENSIONS (mm)

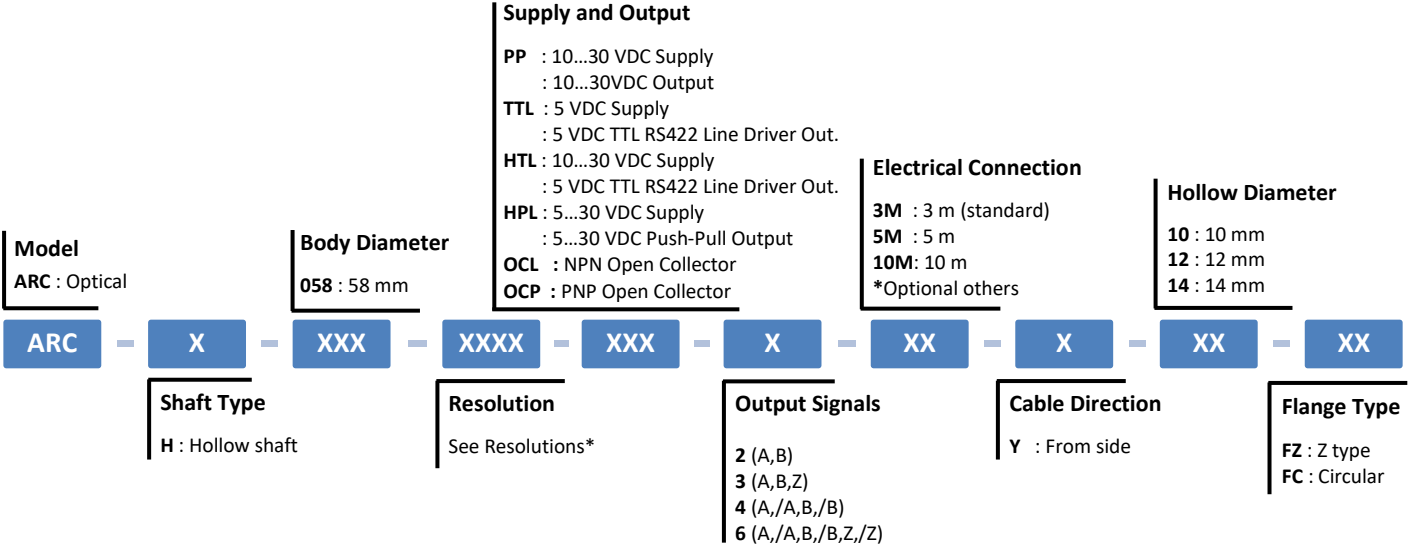
FZ FLANGE



FC FLANGE



PRODUCT CODE



Resolutions:

1024 – 4096 – 5000 – 8192 – 10000 – 16384 - 20000 pulse

Sample Coding:

ARC-H-058-1024-PP-6-3M-Y-14-FC

Optical, hollow shaft, 58 mm body diameter, 1024 pulse, Push-Pull, 6 output signals, 3 meters cable from side, 14 mm hollow shaft, circular flange