



- 2, 3 or 4 Axis
- User Designated Resolution
- Data Transmission with RS-232 Port
- Angle Measuring
- 1,000 Program Memory
- Angle Measurement
- 1,000 pieces of tool memory for turning
- Contact Probing Connection
- 85 - 265 VAC Supply
- 8 + 1 Digit Wide Display Screen
- 6 Different Language Options

New 2, 3 and 4 axis available ADR-10 Series Digital Readouts can meet the application in all machine tools with maximum performance and it includes features that are essential for increasing productivity. With high-capacity memory it is possible to save 1000 pcs program and for the lathes 1000 pcs tool memory. 6 different language choice is existed as Turkish, English, German, Spanish, Portuguese and Dutch. Connection opportunity by contact probe is also available. With 8+1 digit display and standard resolution values with user designated resolution, ADR-10 is designed for your all requires.

### Functions:

- ABS / INC System
- Metric / Inch Measurement
- One-Touch Axis Reset
- Circular Drilling (Divisor)
- Shrink Function
- ½ Function
- Trigonometric Calculator
- Linear Error Correction
- Segmented Error Correction (100 Points)
- Pool Discharge
- Finding the Workpiece Center (Scenario)
- Digital (Vibration) Filter
- Soft Radius
- Simple Radius
- Correct hole drilling
- Distance measurement with probe
- Workpiece Angle Measurement Function
- Last 5 digits on / off
- Tool Diameter Compensation
- Hole Grating Function
- Tilting Z Axis Machining
- Conical Body Angle Measurement
- Menu Location Storage
- Axis Collection
- Machine Reference Point
- Team Storage and Selection
- Tool Memory (1,000 pieces)
- Coordinate Memory (1,000 pieces)
- Progress Limit
- Axis Value Freeze
- Add / Remove Axis Value
- Undo function
- Sleep Mode

### Technical Specifications

Number Of Axis	2, 3, 4
Display	8 Digit +1 Sign Digit, Green, Touring (-) Sign
Display Resolution	0.1 μm, 0.2 μm, 0.5 μm, 1 μm, 5 μm, 10 μm, 25 μm Or User can designate as requested
Input Signal	TTL A,B,Z (Line Driver A, B, Z, /A, /B, /Z) Incremental Encoder Signals
Weight	2,7 Kg
Supply Voltage	85 – 265 VAC 50/60 Hz.
Storage Temperature	- 25 ~ 65 °C
Operation Temperature	-10 ~ 45 °C
Relative Humidity	%20 - %85
Protection Class	IP54
Dimensions (H x W x T)	202mm x 320mm x 84mm
Body	Aluminum Injection Body
Measuring Limits	- 99999,999 mm ~ 99999,999 mm

### Order Code

#### Model

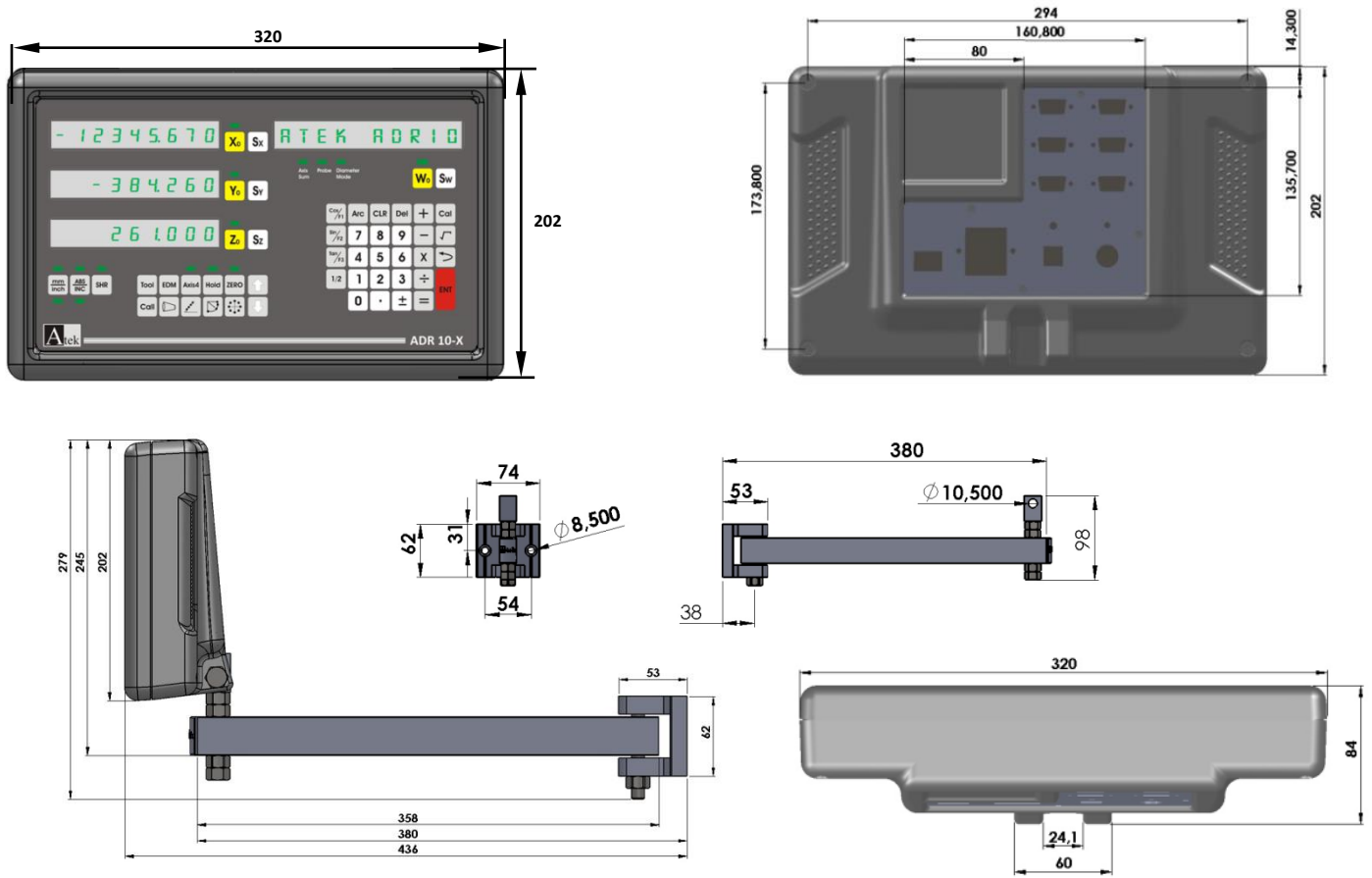
A D R 1 0 - X

#### Number Of Axis

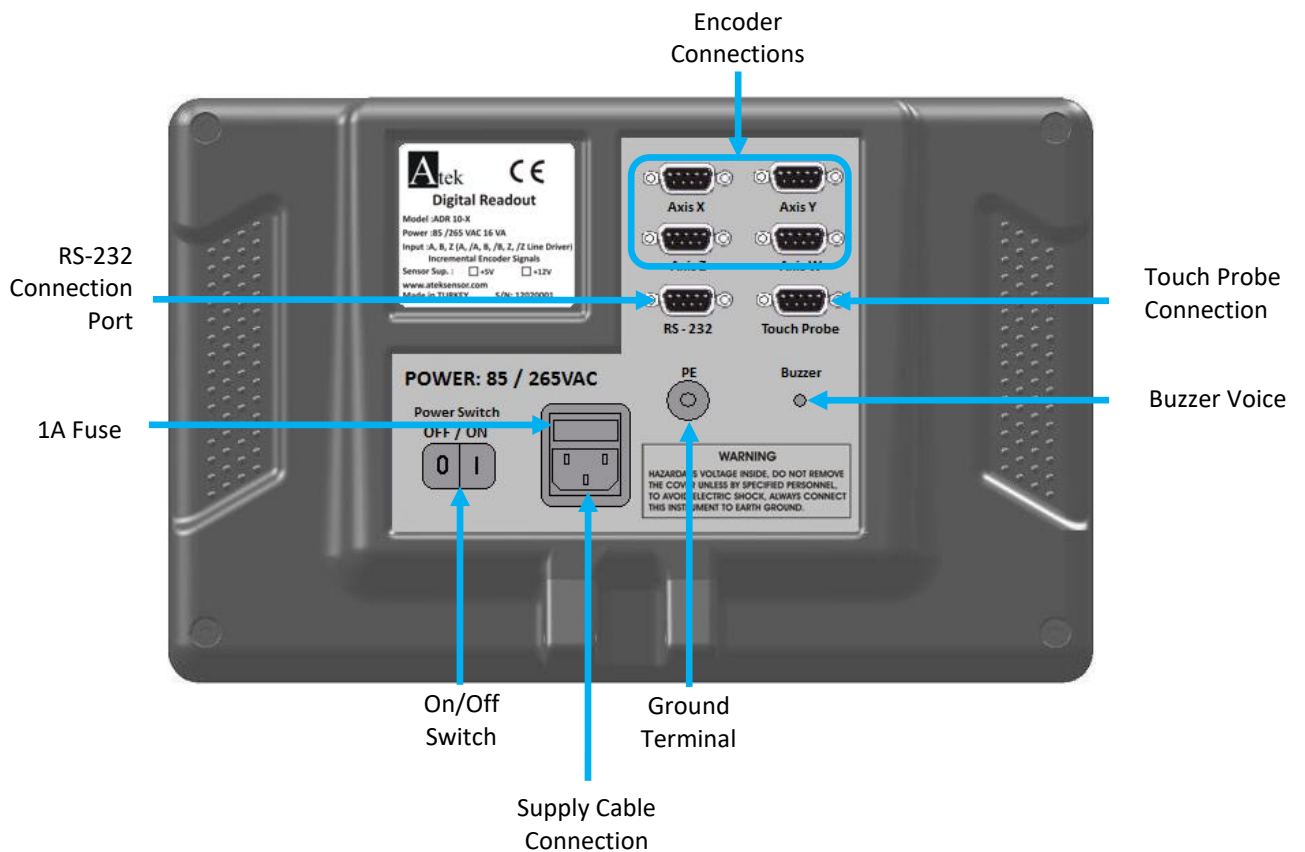
- 2 : 2 Axis
- 3 : 3 Axis
- 4 : 4 Axis



## Mechanical Dimensions



## Connection



Atek Elektronik Sensör Teknolojileri Sanayi ve Ticaret A.Ş.

Gebze OSB, 800. Sokak, No:814 Gebze/KOCAELİ/TURKEY

Tel: +90 262 673 76 00

Fax: +90 262 673 76 08

[www.ateksensor.com](http://www.ateksensor.com)

[info@ateksensor.com](mailto:info@ateksensor.com)

