



- 4 meter detector / detection distance
- 36 photo diodes
- 32ms Fast response speed
- Audible warning system
- Low power consumption
- Easy installation
- Long LED light lifetime
- IP54 Protection Class

ATEK 987 series door security detectors can read from 4 meters distance. With 36 built-in photodiodes with fast response speed, they provide fast security. There is external power unit working with 220VAC power supply.

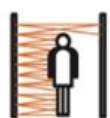
The most important feature of the product is the audible alert notification, so that if the TX and RX units do not see each other within 15 seconds during the installation, they will make audible notification. Due to distinctive body designs, they can be used in door and security applications.

Due to high mounting tolerance, the TX, RX units can be easily connected to each other.

Technical Specifications

Response Time	65ms relay output 41ms transistor output
Number of Infra Red Diodes	36 units
Beam Scanning	174-106 Beam
Detection height	20 – 1678 mm
Infra Red Diode Distance	47.5mm
Power consumption	4W or 100mA @ 24VDC
Operating Temperature	-20°C +65°C
Mounting Tolerance	Up / Down: ± 15mm / 7° Forward / Reverse: ± 3mm / 5°
Mechanical Measurements	2000mm x 27 mm x 11 mm
Infra Red Led Light Life	≤100000 Lux
Measuring Distance	4 meter
Protection Class	IP54 for TX and RX units, IP31 for power unit
Audible Warning	Buzzer integrated in RX unit

LED STATUS BOARD



Red LED
Status indicator
Receiver unit



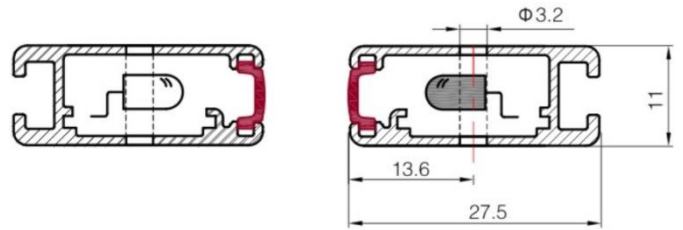
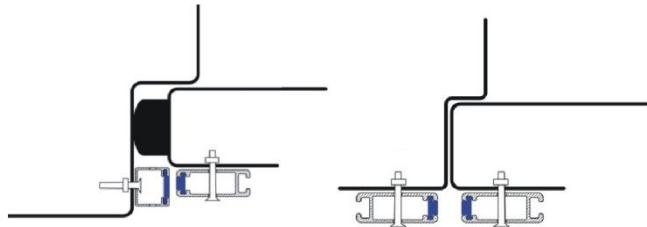
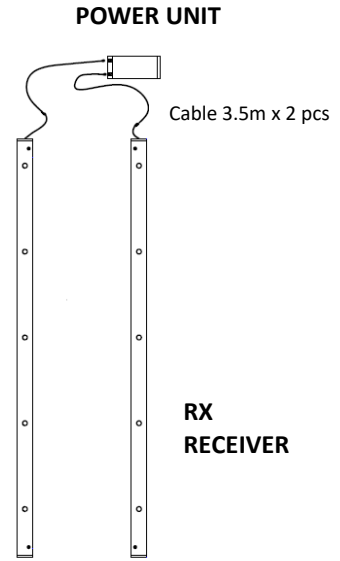
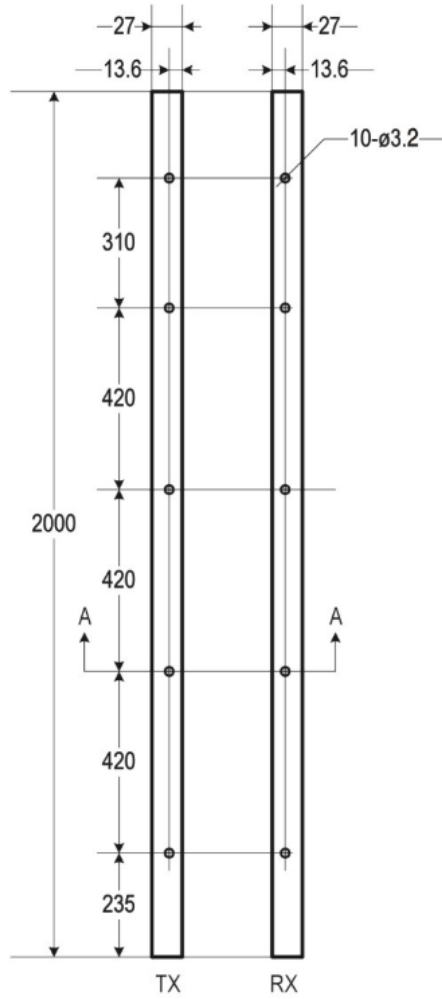
Green LED
Power indicator
Power Unit



Red LED
Status indicator
Power Unit



Mechanical Measurements



Order Details

Model No

9 8 7 - Q - 5 1 - AC 220

Mounting / Body Type

Installed from the holes on the body located at 420mm intervals

Cable Length

1: 3,5 meter cable x 2

Number of Diodes

36 : 36 photodiodes

Supply

AC 220: 220VOLT AC power supply



Atek Elektronik Sensör Teknolojileri Sanayi ve Ticaret A.Ş.

Gebze OSB, 800. Sokak, No:814 Gebze/KOCAELİ/TURKEY

Tel: +90 262 673 76 00

Fax: +90 262 673 76 08

www.ateksensor.com

info@ateksensor.com

