



- Piezoresistive measurement principle
- Long-term stable operation
- EMC and Reverse Polarity protection
- 4-20 mA or 0-10 V analog output
- Different level measuring between 1 meter and 100 meters
- IP68 protection class
- Suitable for use in oils and fuels
- High quality
- Reasonable price, economical solution

PTL 130 level pressure sensors with piezoresistive working principle; are used for level measurement in applications like streams, reservoirs, water tanks, oil and fuel tanks etc.

With its stainless steel housing with IP68 protection class, it can work in harsh environments.

Thanks to the surge voltage and reverse polarity protection, the PTL 130 series are unaffected by electrical fluctuations and reverse connections.

Optionally configurable pressure ranges, analog output and mechanical connection options offer solutions suitable for various applications.

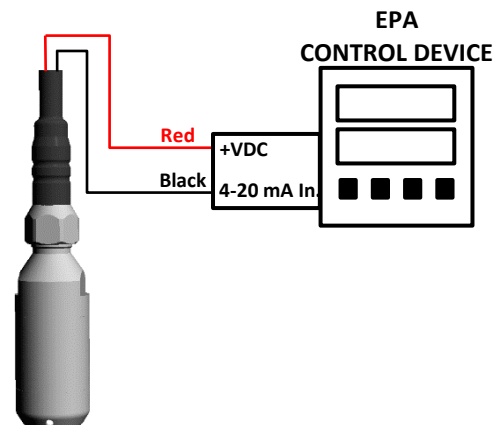
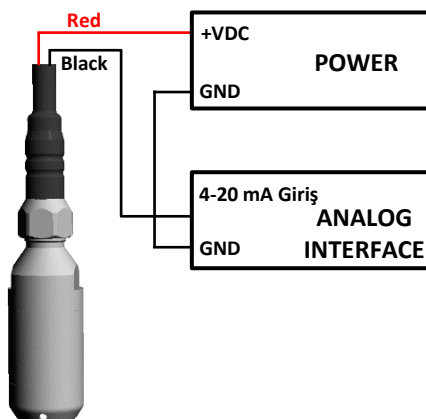
TECHNICAL SPECIFICATIONS

Measuring Principle	Piezoresistive		Electrical Connection	3 x 0,35 mm ² PTFE cable Cable outer diameter: 7,5 ±0,2 mm Drain pipe diameter: 2 mm (Cable length according to level value)		
Membrane	1.4404 (AISI 316L)			Operating Temperature	-25°C ... +85°C	
O-Ring	Viton (FKM)				Storage Temperature	-25°C ... +85°C
Measuring Range	Different models between 100 mbar and 25 bar can be selected		Protection Class	IP68		
	Output Signal	Signal		Supply	Material	Body: 1.4404 (AISI 316L stainless steel)
0...10VDC		12...30VDC	Cable: PTFE (polytetrafluorethylene)	Weight		
0.5...4.5VDC		5VDC				~350 gr
Maximum Pressure	4...20mA	12...30VDC	EMC Protection	Emission: EN/IEC 61000-6-3		
	%200 FS			Immunity: EN/IEC 61000-6-2		
Precision	%0,3					

ELECTRICAL CONNECTION

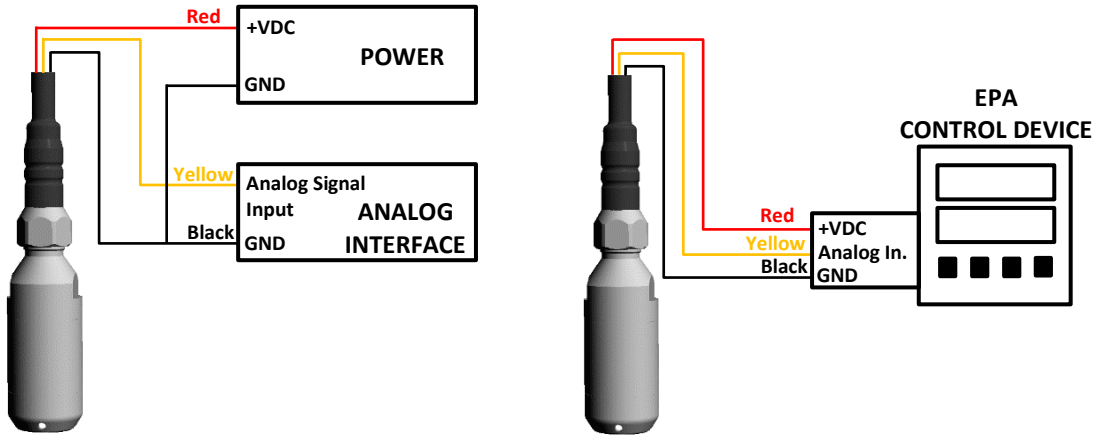
4-20 mA Connection

Signal	Cable
+12...30 VDC (+ supply)	Red
4-20 mA	Black



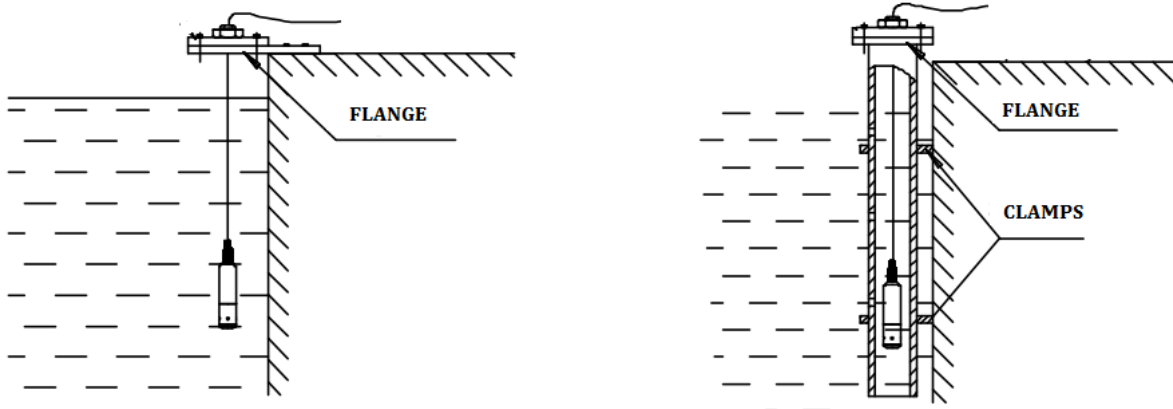
0-10 VDC and 0.5-4.5 VDC Connection

Signal		Cable
+12...30 VDC	+5 VDC	Red
GND	GND	Black
0-10 VDC	0.5-4.5 VDC	Yellow



SAMPLE APPLICATION

During the application, the product free submerge. Dams, rivers and streams of the product against a surge in applications should be suspended through the pipes.

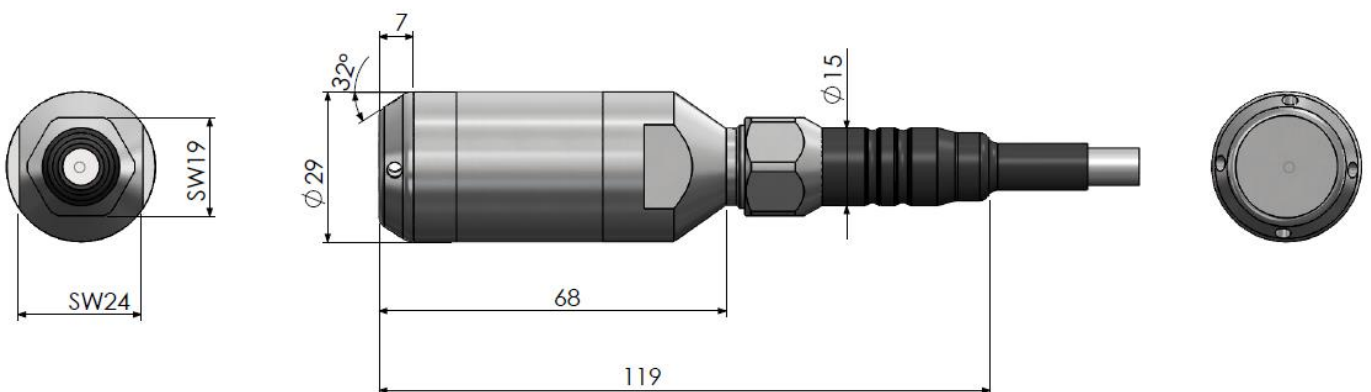


WARNING!

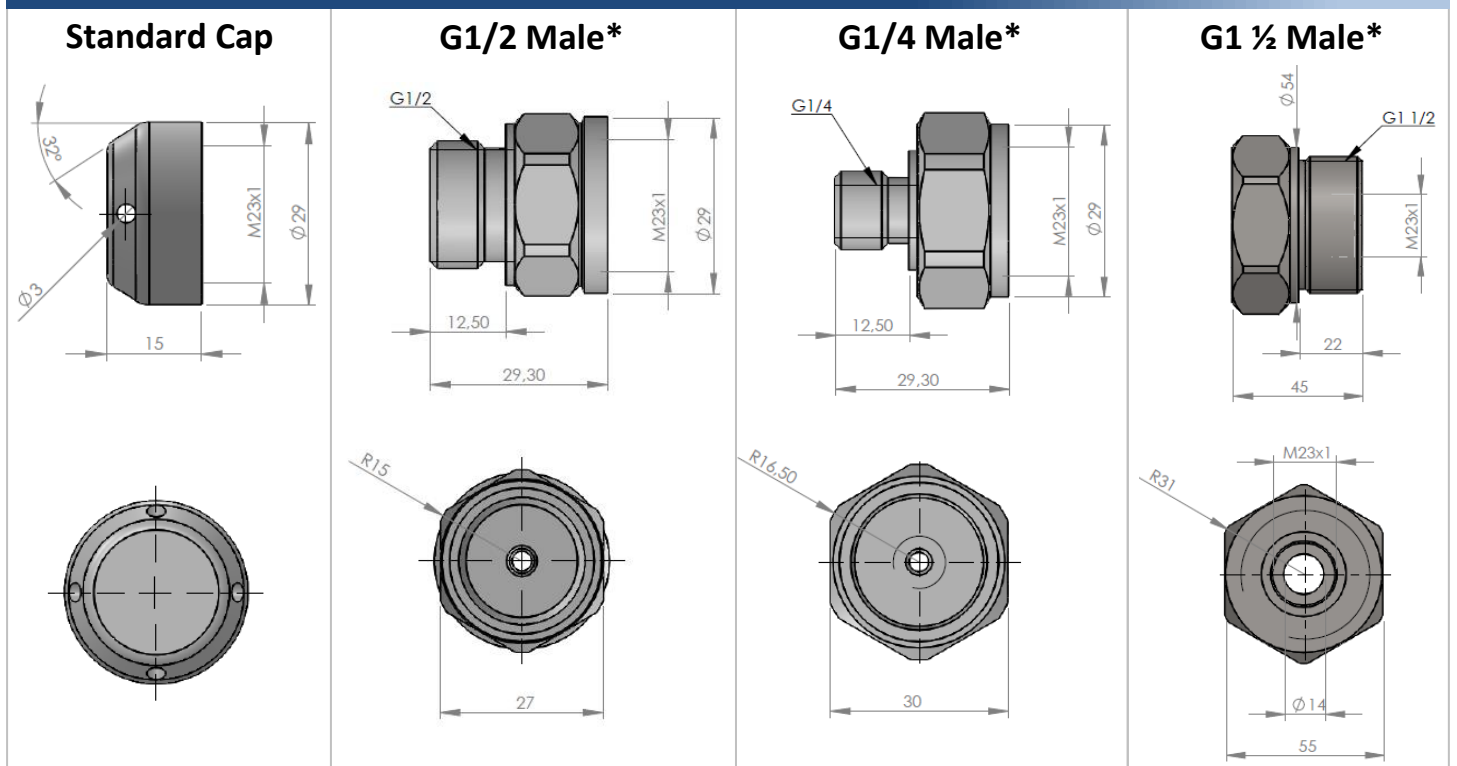
If the wick in the drain pipe is removed, the product will be out of warranty.



MECHANICAL DIMENSIONS (with standard cap)



MECHANICAL CONNECTION OPTIONS



Fittings marked with (*) are optional.

SAMPLE APPLICATION FIELDS

- Wells
- Water Tanks
- Lake Level
- River Level
- Reservoirs
- Oil and Fuel Tanks



ORDER CODE

<p>Model</p> <p>PTL 130 - X - XX - XX - XX - XXX</p>	<p>Output Signal</p> <p>V : 0-10 VDC VB: 0.5-4.5 VDC A : 4-20 mA</p>	<p>Cable Length</p> <p>5M : 5 meters 8M : 8 meters 10M: 10 meters * Must be selected 1 meter above the value to be measured in liquid level measurement</p>	<p>Pressure</p> <p>Different models between 100 mbar and 25 bar can be selected</p> <p>*(For water, 1 meter level = 100 milibar)</p>	<p>Mechanical Connection</p> <p>No Code : Standard Cap G1/4 : G1/4 Connection G1/2 : G1/2 Connection G1.1/2 : G1 1/2 Connection</p>	<p>Cable Type</p> <p>PTFE : PTFE (polytetrafluorethylene)</p>
---	---	---	--	---	--

Product	Housing	Cable Material	O-Ring	Applications
PTL 110	1.4404 (AISI 316L)	PE (polythene)	NBR	Wells, water tanks, lake level, river level, reservoirs
PTL 120	1.4462 (dublex)	PE (polythene)	NBR	Sea water, saline water, waste water gray water
	1.4404 (AISI 316L)			
	Titanium			
PTL 130	1.4404 (AISI 316L)	PTFE (polytetrafluorethylene)	Viton (FKM)	Oils and fuels

Atek Sensor Technologies

Tuzla KOSB Organize Sanayi Bolgesi Melek Aras Bulvari, No:67 34956 Tuzla-Istanbul / TURKEY