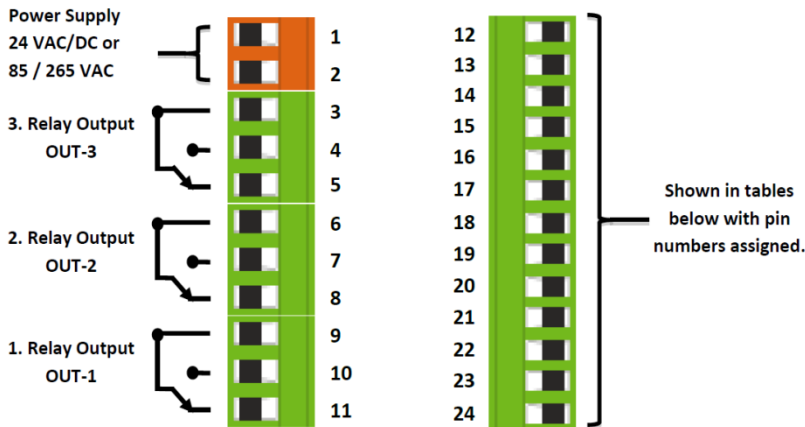


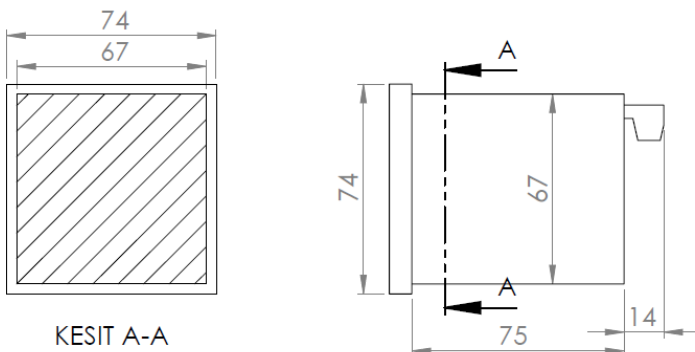


- Process and temperature measurement at the same time
- Two lines display;
The first line shows the analog process value from the sensor and the second line shows the temperature information from the thermocouple.
- PT100, PT1000 or Thermocouples can be connected
- Thermocouple type K, J, N, R, S, T, E and B can be selected from menu
- Temperature can be shown as °C, °K and °F
- Load Cell can also be connected
- RS-232, RS-485, USB or CANopen options
- 3 relay outputs, adjustable for different functions
- High refresh rate: 3.5 kHz
- Analogue signals (0-10 V, 4-20 mA, 0-20 mA Potentiometric) can be converted to CANopen signals.
- CANopen signals can be converted to analogue signals (0-10 V, 4-20 mA, 0-20 mA)
- Invertible analogue output (10-0 V, 20-0 mA)
- Fast and multiple parameter configuration via USB
- Easy and user friendly interface
- Tare function
- Menu hiding or password protection

Connections



Mechanical Dimensions



Technical Specifications

Display	1st Line: 7-segment LED, digit height:14mm 2nd Line: 7-segment LED, digit height:9mm
Supply Voltage	24 V _{AC/DC} 50/60 Hz 85-265 V _{AC} 50/60 Hz
Power Usage	9 VA / 2,7 Watt Maximum
Sensor Supply Voltage	<u>Pot</u> :10 V _{DC} , <u>mV/V</u> :10 V _{DC} <u>0-10V</u> :24 V _{DC} , <u>0-5V</u> :5 V _{DC} , <u>0.5-4.5V</u> :5 V _{DC} , <u>4-20 mA</u> :24 V _{DC} , <u>CANopen</u> : 24 V _{DC}
Max. Sensor Supply Current	100 mA
Refresh Rate	3.5 kHz
Resolution	16 bit
Analogue Inputs	Potentiometer, 0-10 V, 0.5-4.5 V, 0-5 V, 4-20 mA, 0-20 mA, 3,33 mV/V, 2mV/V, 2,5mV/V Ratiometric, Thermocouple, RTD
Relay Outputs	3 outputs 250 V _{AC} 3A (Resistive Load) Relay
Serial Communication (Optional)	RS-232, RS-485, USB, CANopen
Analogue Outputs (Optional)	0-10 V, 0-5 V, 0.5- 4.5 V, 4-20 mA, 0-20 mA
Electrical Connection	2,5 mm ² Universal Terminal
Weight	~190 gr
Operating Temperature	0 - 50 °C
Protection Class	IP60 Front Panel, IP20 Back Panel

Connection Regarding Terminal Numbers

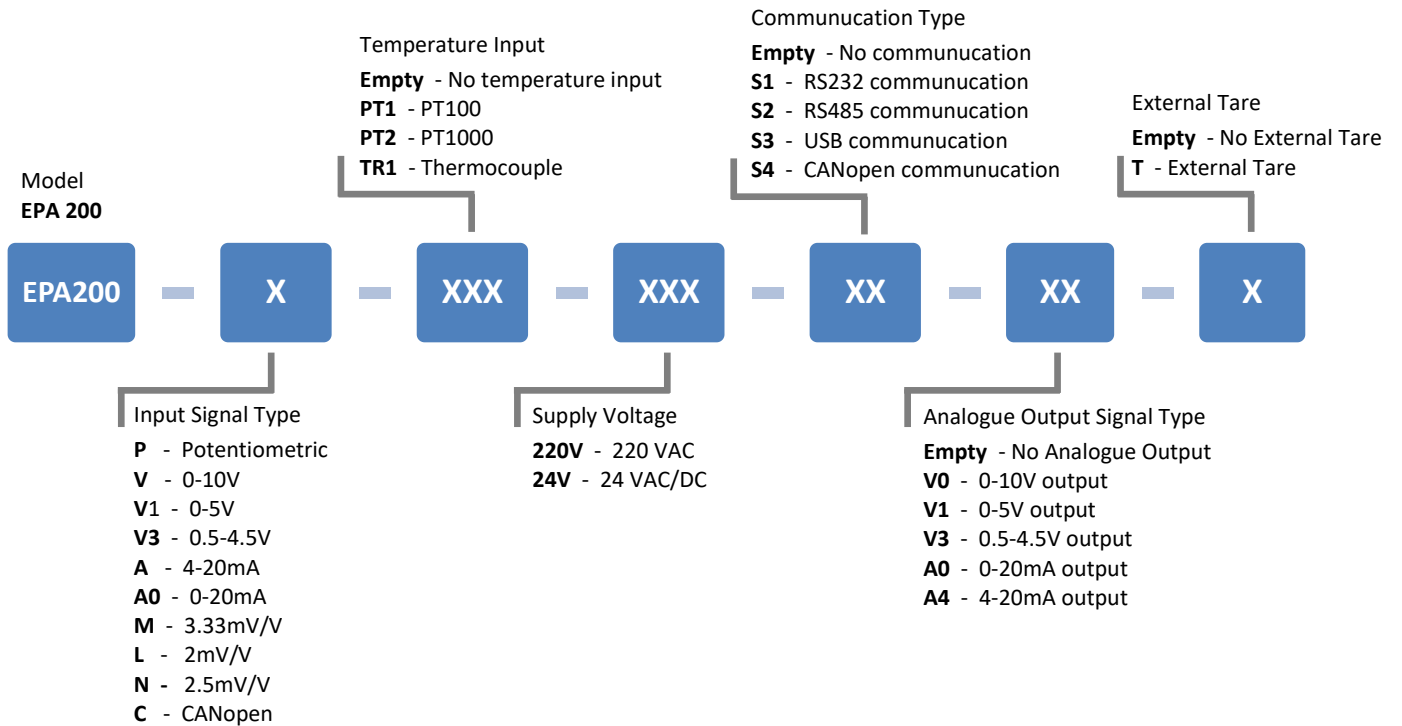
Digital Comn.	12	13	14
RS485	A	B	GND
RS232	Rx	Tx	GND
USB HID	USB B TYPE CONNECTOR		
USB VIRTUAL	USB B TYPE CONNECTOR		
CANopen	CAN HIGH	CAN LOW	GND

Analogue Outputs	15	16	17
4-20 mA Output 0-20 mA Output 0-10 V Output 0-5 V Output 0.5-4.5 V Output	X	GND	Signal Output
Tare Input	Tare Input	GND	X

SENSOR	24	23	22	21	20	19	18
Potentiometer	3. terminal	2. terminal	1. terminal	X	X	X	X
4-20 mA Input 0-20 mA Input 0-10 V Input 0-5 V Input 0.5-4.5 V Input	GND	Sensor Signal	Sensor Supply	X	X	X	X
3.33 mV/V Input 2 mV/V Input 2.5 mV/V Input	GND	X	Sensor Supply	Signal(-)	Signal(+)	X	X
RTD	X	X	X	X	X	R-	R+
Thermocouple	X	X	X	X	X	T-	T+

Order Code

Use the following coding format when you will order your EPA 200 process controller.



Sample Product Code 1: **EPA200-V-TR1-220V-S2-A4-T**

Sample Product Code 2: **EPA200-A-24V**

Eskon Sensor Technology



Tuzla KOSB Organize Sanayi Bölgesi Melek Aras Bulvarı No:67 PK:34956 Tuzla / İstanbul -TURKEY
 Tel: +90 216 399 44 04 Faks: +90 216 399 44 02
www.eskonsensor.com